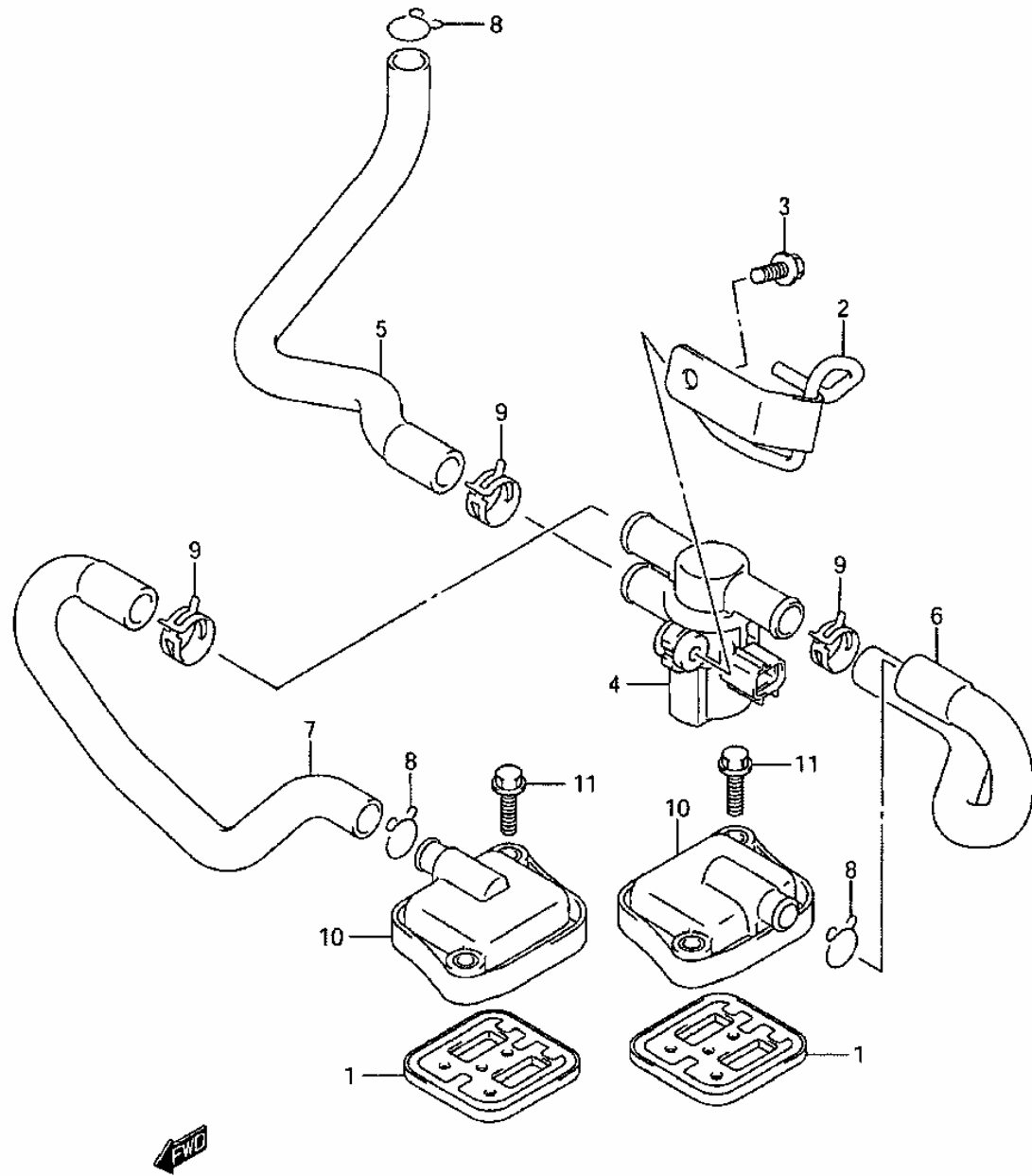


SUZUKI GSX-R750
2004-2005

PARTS CATALOG

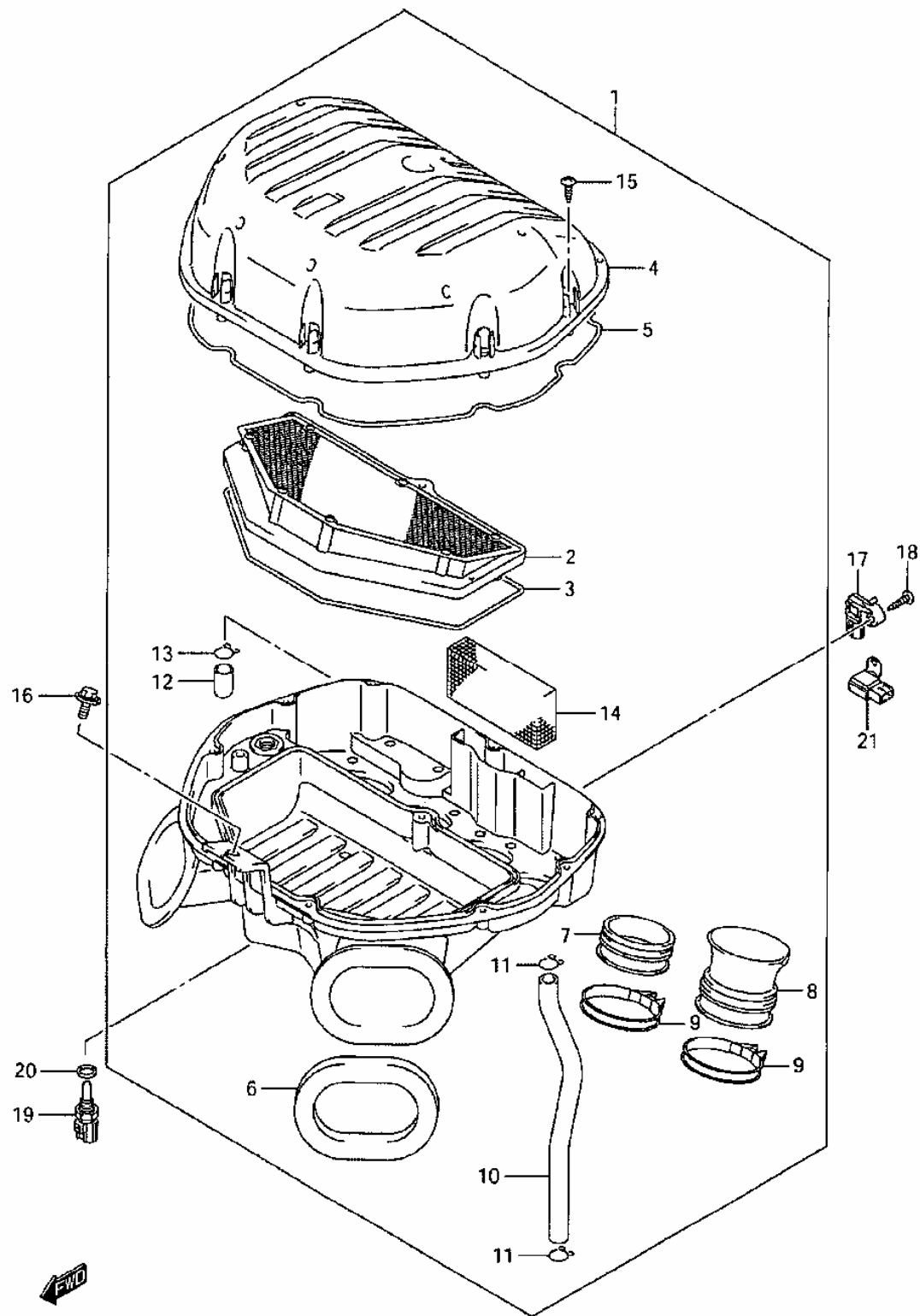
2ND AIR

- (1) **18450-35F10**
VALVE ASSY,2ND
- (2) **18610-29G00**
BRACKET COMP,2N
- (3) **01550-06163**
BOLT
- (4) **18510-29G00**
VALVE ASSY,AIR
- (5) **18711-29G00**
HOSE,2ND AIR CL
- (6) **18461-30G00**
HOSE,AIR CUT VA
- (7) **18471-30G00**
HOSE,AIR CUT VA
- (8) **09401-15101**
CLIP,BREATHER T
- (9) **09401-17401**
CLIP
- (10) **18531-35F10**
COVER,2ND AIR R
- (11) **09103-06201**
BOLT



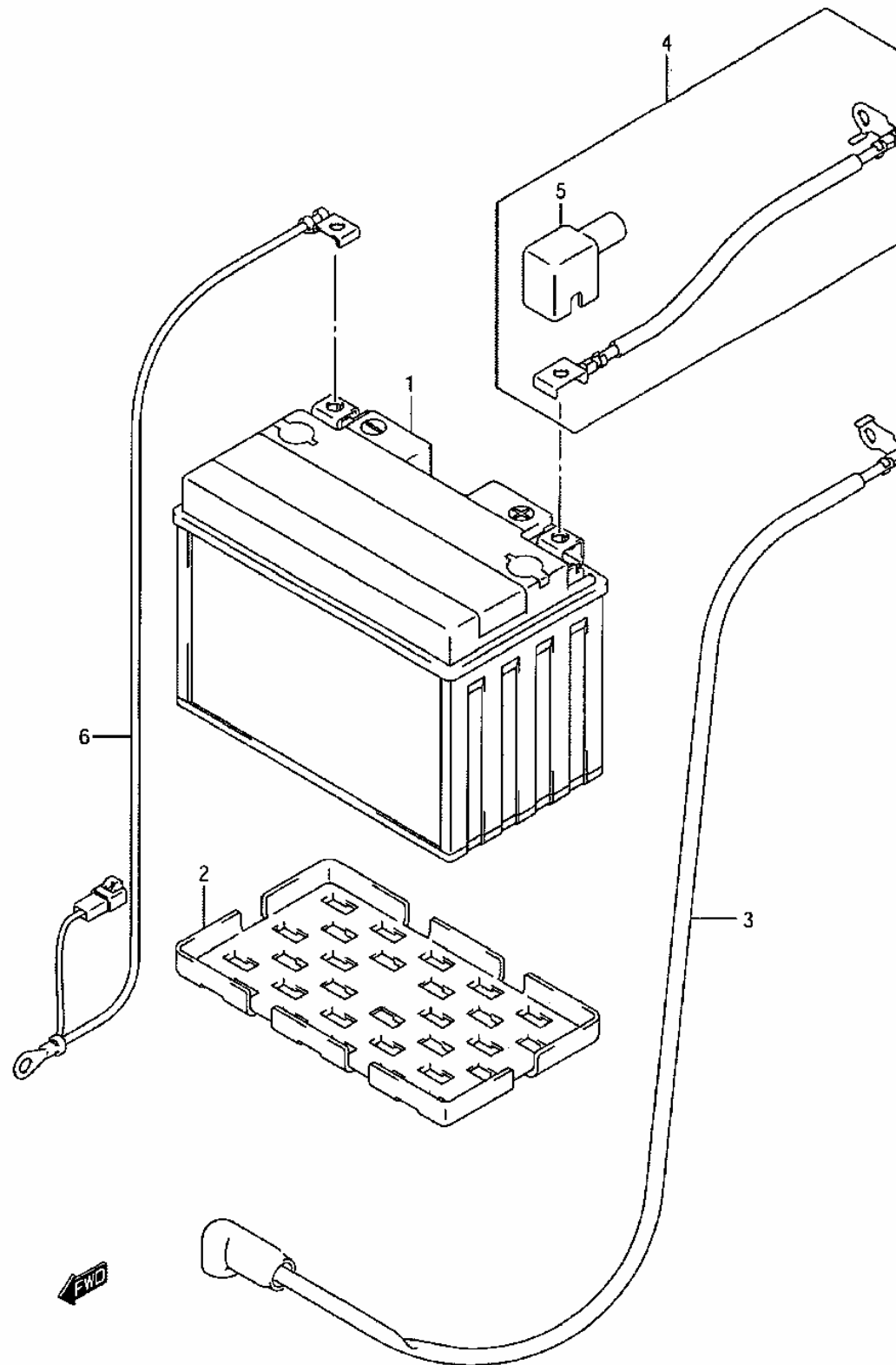
AIR CLEANER

- (1) **13700-30G00**
CLEANER ASSY,AI
- (2) **13780-29G00**
>> FILTER ASSY
- (3) **13756-29G00**
>> GASKET,CASE
- (4) **13741-29G00**
>> CAP,AIR CLEANER
- (5) **13746-29G00**
>> GASKET,CAP
- (6) **13736-29G00**
>> CUSHION
- (7) **13881-30G00**
>> TUBE,OUTLET A
- (8) **13882-30G00**
>> TUBE,OUTLET B
- (9) **09402-60208**
>> CLAMP
- (10) **13853-30G00**
>> TUBE,BREATHER
- (11) **09401-14301**
>> BREATHER HOSE C
- (12) **13878-10G00**
>> PLUG
- (13) **09401-14301**
>> BREATHER HOSE C
- (14) **13788-29G00**
>> FILTER,BREATHER
- (15) **03541-05203**
>> SCREW
- (16) **09116-06130**
BOLT 6X16
- (17) **15620-29G00**
SENSOR,INT AIR
- (18) **03541-05253**
SCREW
- (19) **13650-61B00**
SENSOR,WATER TE
- (20) **09168-12017**
GASKET,12X17X1
- (21) **15620-29G10**
SENSOR,AIR PRES



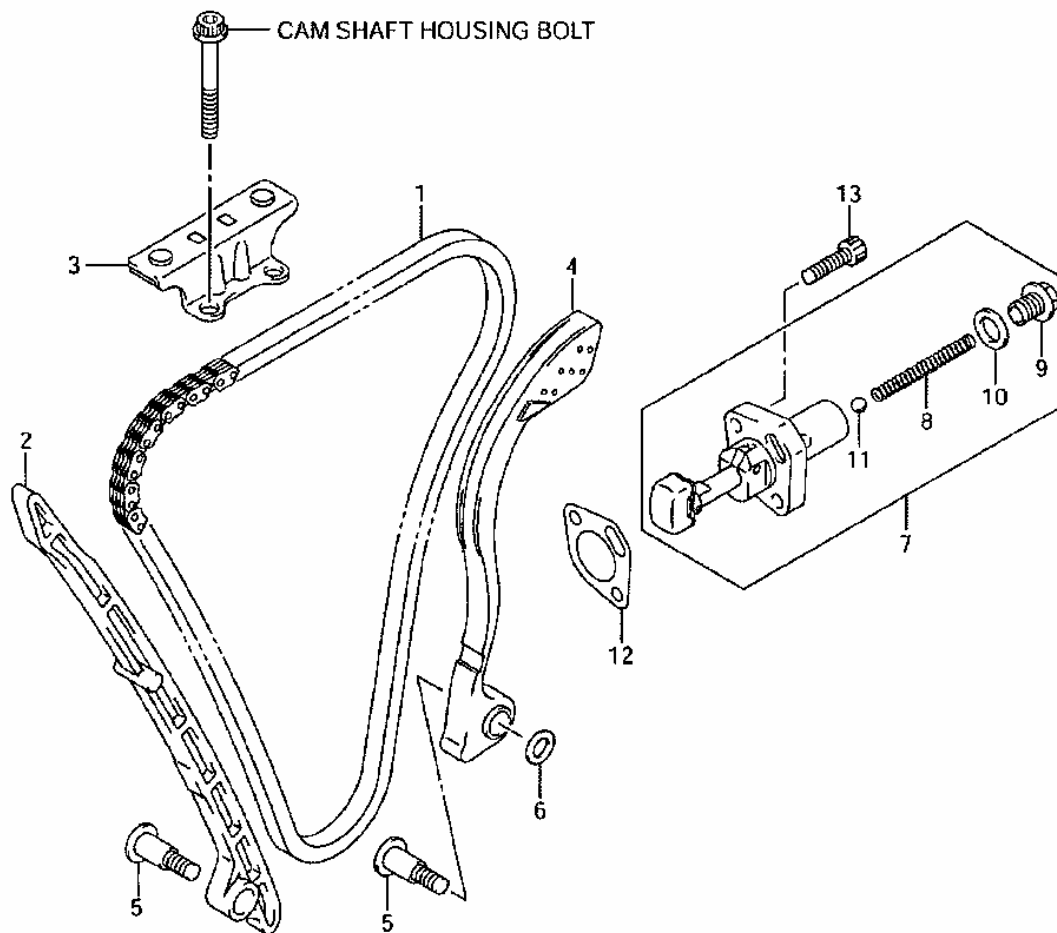
BATTERY

- (1) **33610-02F01**
BATTERY ASSY,YT
- (2) **33652-16G00**
PROTECTOR BATTE
- (3) **33810-29G00**
WIRE,STARTER MO
- (4) **33820-29G00**
WIRE,BATTERY PL
- (5) **33624-15D00**
>> CAP, BATTERY PL
- (6) **33860-29G00**
WIRE,BATTERY MI



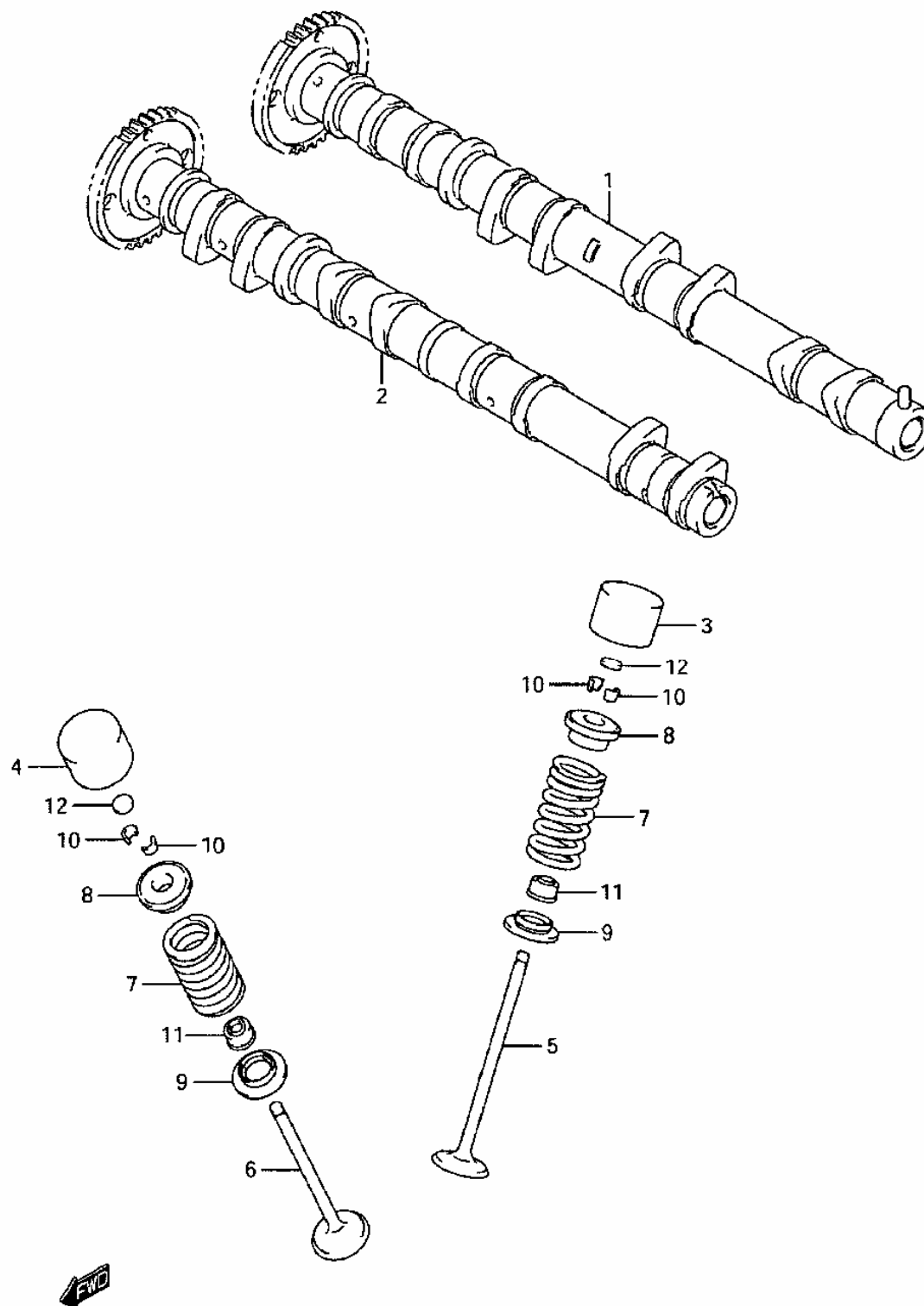
CAM CHAIN

- (1) **12760-35F00**
CHAIN COMP,CAMS
- (2) **12771-30G00**
GUIDE,CAM CHAIN
- (3) **12782-35F10**
GUIDE CAM CHAIN
- (4) **12811-30G00**
TENSIONER,CAM C
- (5) **12812-26B02**
BOLT,CAM CHAIN
- (6) **12813-30G00**
WASHER,CAM CHAI
- (7) **12830-30G00**
ADJUSTER ASSY,T
- (8) **12831-39F00**
>> SPRING
- (9) **12833-05A00**
>> PLUG
- (10) **12837-24F10**
>> GASKET
- (11) **12839-35F00**
>> BALL
- (12) **12837-18G00**
GASKET,TENSIONE
- (13) **07130-06253**
BOLT



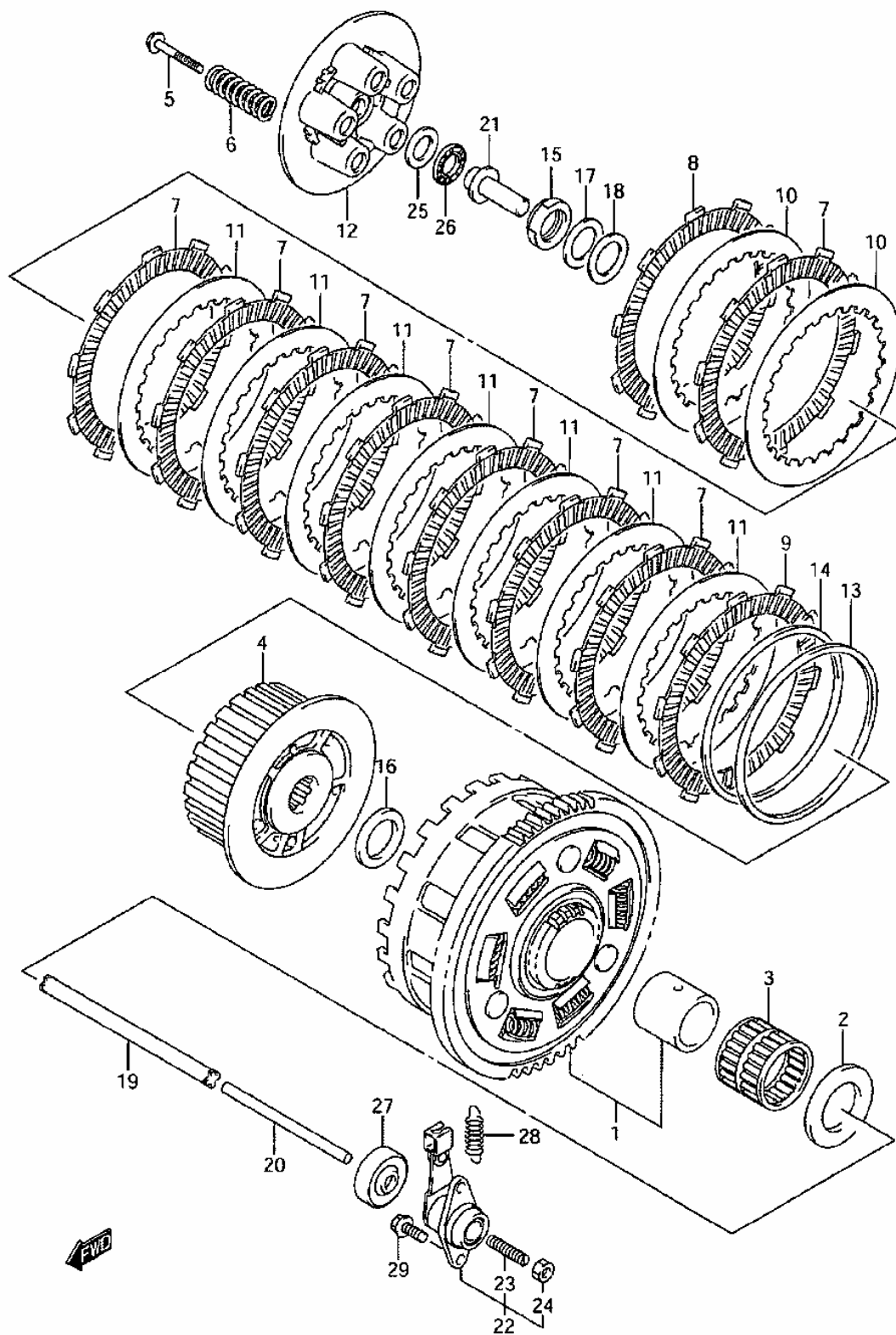
CAM SHAFT – VALVE

- (1) **12710-30G00**
CAMSHAFT COMP,I
- (2) **12720-30G00**
CAMSHAFT COMP,E
- (3) **12891-17E00**
TAPPET
- (4) **12891-35F00**
TAPPET,EX
- (5) **12911-30G00**
VALVE,INTAKE
- (6) **12912-30G00**
VALVE,EXHAUST
- (7) **12921-30G00**
SPRING,VALVE
- (8) **12931-29G00**
RETAINER,VALVE
- (9) **12933-29G00**
SEAT,VALVE SPRI
- (10) **12932-32C00**
COTTER, VALVE
- (11) **09289-04002**
SEAL,OIL,4.5X10
- (12-1) **12892-05C00-120**
SHIM,TAPPET
- (12-2) **12892-05C00-125**
SHIM,TAPPET
- (12-3) **12892-05C00-130**
SHIM,TAPPET
- (12-4) **12892-05C00-135**
SHIM,TAPPET
- (12-5) **12892-05C00-140**
SHIM,TAPPET
- (12-6) **12892-05C00-145**
SHIM,TAPPET
- (12-7) **12892-05C00-150**
SHIM,TAPPET
- (12-8) **12892-05C00-155**
SHIM,TAPPET,T:1
- (12-9) **12892-05C00-160**
SHIM,TAPPET
- (12-10) **12892-05C00-165**
SHIM,TAPPET
- (12-11) **12892-05C00-170**
SHIM,TAPPET
- (12-12) **12892-05C00-175**
SHIM,TAPPET
- (12-13) **12892-05C00-180**
SHIM,TAPPET
- (12-14) **12892-05C00-185**
SHIM,TAPPET
- (12-15) **12892-05C00-190**
SHIM,TAPPET
- (12-16) **12892-05C00-195**
SHIM,TAPPET
- (12-17) **12892-05C00-200**
SHIM,TAPPET
- (12-18) **12892-05C00-205**
SHIM,TAPPET
- (12-19) **12892-05C00-210**
SHIM,TAPPET
- (12-20) **12892-05C00-215**
SHIM,TAPPET
- (12-21) **12892-05C00-220**
SHIM,TAPPET
- (13) **12800-05830**
SHIM SET,TAPPET
- (14) **99000-69491**
>> CASE,TAPPET SHI



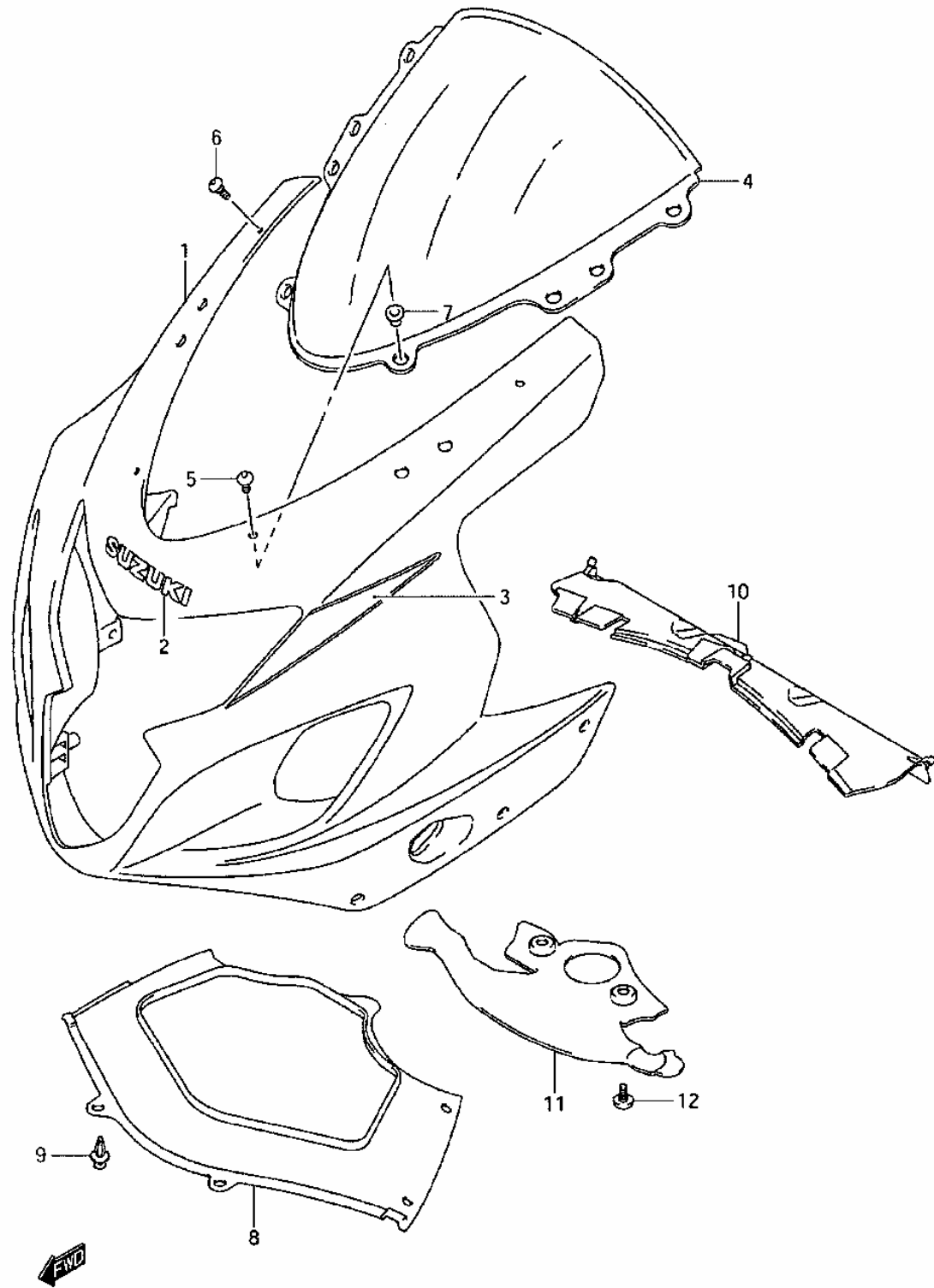
CLUTCH

- (1) **21200-35820**
GEAR ASSY,PRIMA
- (2) **09160-25073**
WASHER,25X54X2.
- (3) **09263-35036**
BEARING,35X40X2
- (4) **21410-35F00**
HUB,CLUTCH SLEE
- (5) **21412-35F00**
BOLT,CLUTCH SPR
- (6) **21413-35F10**
SPRING,CLUTCH
- (7) **21441-31E50**
PLATE,CLUTCH DR
- (8) **21441-31E60**
PLATE,CLUTCH DR
- (9) **21442-31E21**
PLATE,CLUTCH DR
- (10) **21451-31E00**
PLATE,CLUTCH DR
- (11) **21451-31E10**
PLATE,CLUTCH DR
- (12) **21462-35F00**
DISK,CLUTCH PRE
- (13) **21471-31E20**
SEAT,CLUTCH PLA
- (14) **21472-02F00**
WASHER,CLUTCH P
- (15) **09159-24010**
NUT
- (16) **09160-25056**
WASHER SLEEVE H
- (17) **09164-24006**
WASHER CL SLEEV
- (18) **09181-25223**
SHIM,25X38X1.0
- (19) **23110-27A00**
ROD,CLUTCH PUSH
- (20) **23111-35F00**
ROD,CLUTCH PUSH
- (21) **23121-31E00**
PIECE,CLUTCH PU
- (22) **23200-35F01**
SCREW ASSY,CLUT
- (23) **09134-06010**
>> SCREW
- (24) **08310-00067**
>> NUT
- (25) **09160-15045**
WASHER
- (26) **09263-15003**
RC 15X28X2 BRG
- (27) **09285-06011**
OIL SEAL CL PUS
- (28) **09443-09051**
SPRING
- (29) **01550-06163**
BOLT



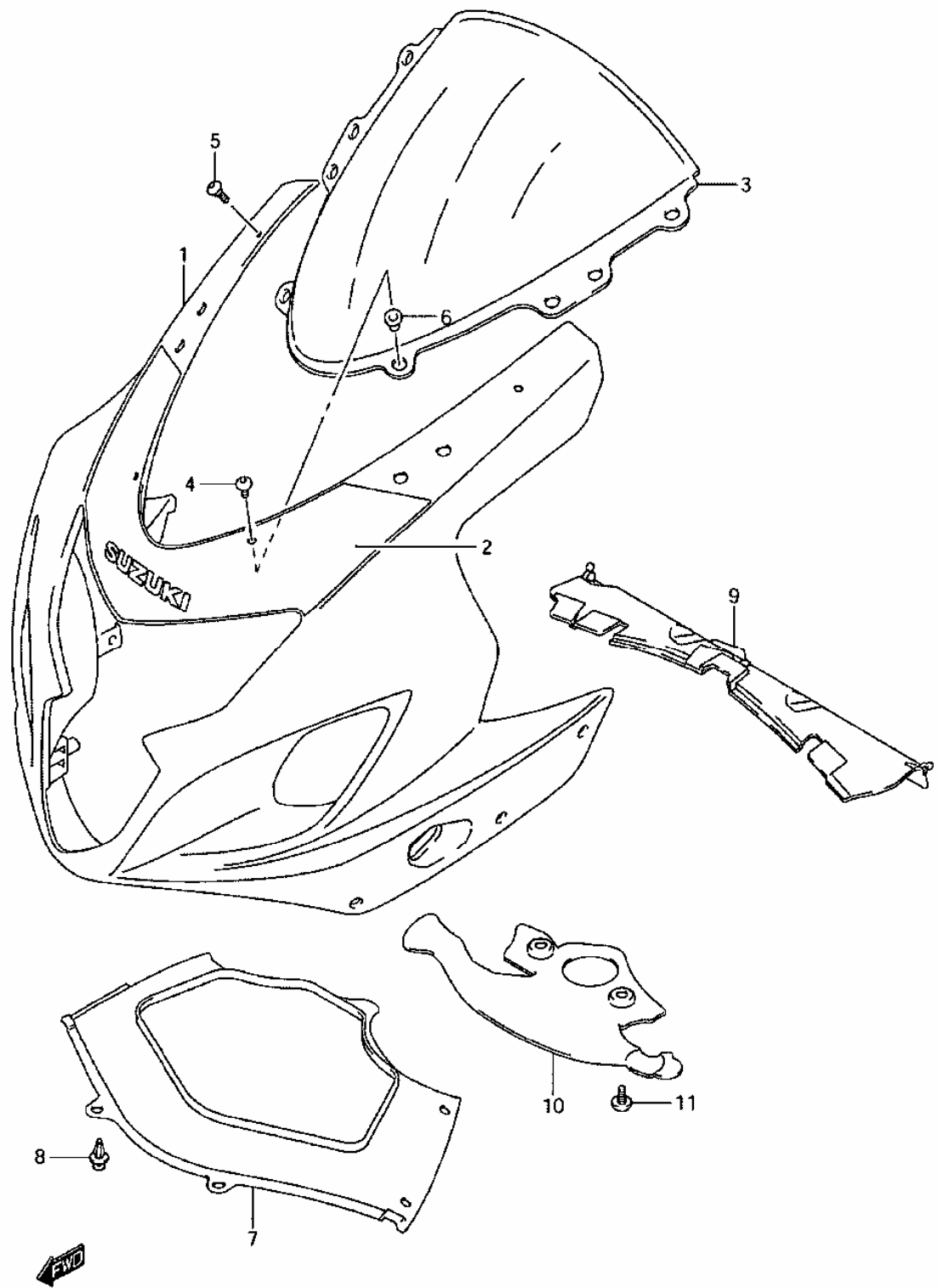
COWLING BODY MODEL K4

- (1-1) **94401-30G00-YBA**
COWLING ASSY,BO
- (1-2) **94401-30G00-YEC**
COWLING ASSY,BO
- (1-3) **94401-30G00-YU8**
COWLING, BODY (GRAY)
- (2-1) **68281-29G00-019**
>> EMBLEM,"SUZUKI"
- (2-2) **68281-29G00-YD8**
>> EMBLEM,COWL BOD
- (3-1) **68280-30G00-LR5**
>> TAPE SET,COWLIN
- (3-2) **68280-30G00-AGN**
>> TAPE SET,COWLIN
- (3-3) **68280-30G00-ATT**
>> TAPE SET,COWLIN
- (4) **94611-29G00**
WINDSCREEN
- (5) **09125-05133**
SCREW
- (6) **09125-05134**
SCREW
- (7) **09159-05019**
NUT
- (8) **94419-29G00**
COVER,BODY COWL
- (9) **09409-06314-5PK**
CLIP(BLACK)
- (10) **94457-29G00**
COVER,COWL FRON
- (11) **94458-29G00**
COVER,LWR BRACK
- (12) **63161-43E00**
BOLT,RR FENDER



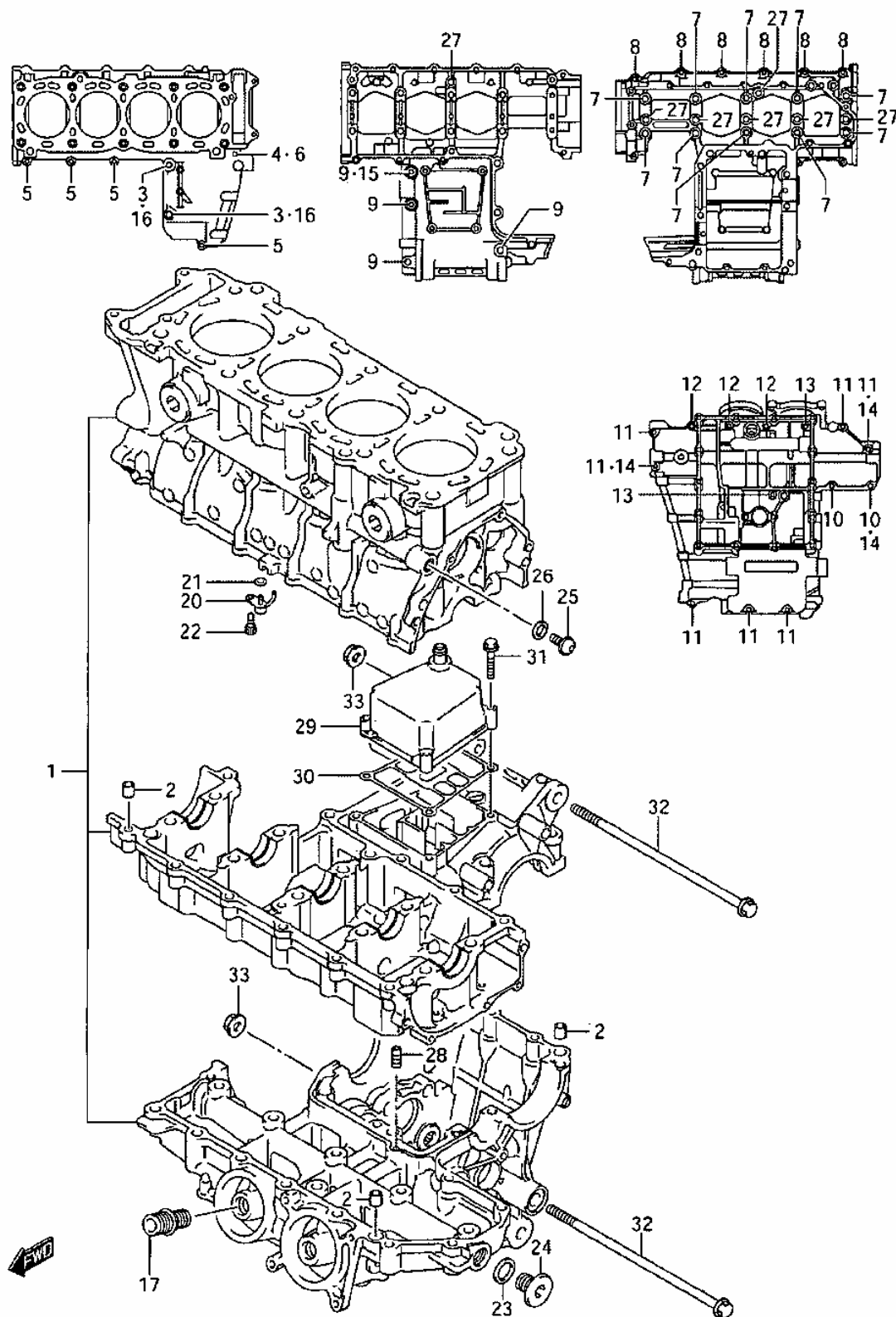
COWLING BODY MODEL K5

- (1-1) **94401-30G10-YBA**
COWLING, BODY (BLUE)
- (1-2) **94401-30G10-4JX**
COWLING, BODY (BLUE)
- (1-3) **94401-30G10-YEC**
COWLING, BODY (YELLOW)
- (2-1) **68285-30G00-LW3**
>> TAPE SET
- (2-2) **68285-30G00-BRD**
>> TAPE SET
- (2-3) **68285-30G00-BRC**
>> TAPE SET
- (3) **94611-29G00**
WINDSCREEN
- (4) **09125-05133**
SCREW
- (5) **09125-05134**
SCREW
- (6) **09159-05019**
NUT
- (7) **94419-29G01**
COVER, BODY COWL
- (8) **09409-06314-5PK**
CLIP(BLACK)
- (9) **94457-29G00**
COVER,COWL FRON
- (10) **94458-29G00**
COVER,LWR BRACK
- (11) **63161-43E00**
BOLT,RR FENDER



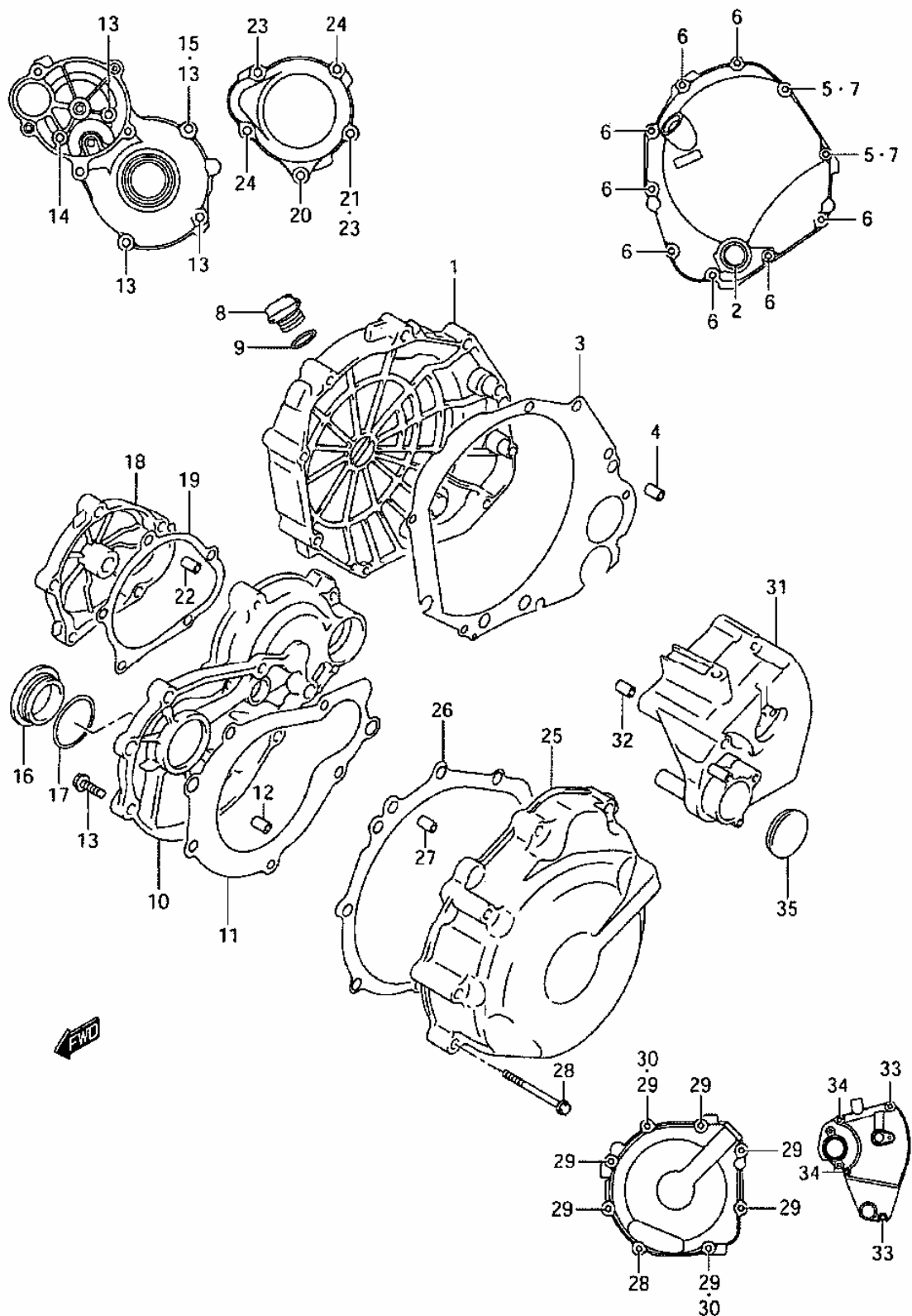
CRANKCASE

- | | | |
|--------|-----------------|--------------------|
| (1) | 11301-30880 | CRANKCASE SET |
| (2) | 11319-33E50 | >> PIN,CRANKCASE |
| (3) | 09106-08139 | >> BOLT,8X120 |
| (4) | 09168-06023 | >> GASKET |
| (5) | 01547-06403 | >> BOLT |
| (6) | 01547-06803 | >> BOLT |
| (7) | 09103-09012 | >> BOLT,9X95 |
| (8) | 01547-06403 | >> BOLT |
| (9) | 07120-08653 | >> BOLT |
| (10) | 01547-06303 | >> BOLT |
| (11) | 01547-06403 | >> BOLT |
| (12) | 01547-06603 | >> BOLT |
| (13) | 01547-06703 | >> BOLT |
| (14) | 09168-06023 | >> GASKET |
| (15) | 09168-08016 | >> GASKET 8,2X14X1 |
| (16) | 09168-08016 | >> GASKET 8,2X14X1 |
| (17) | 16591-06B00 | >> UNION OIL STAND |
| (18) | 12228-17E00-0D0 | >> METAL,CRANK THR |
| (19-1) | 12228-17E00-0A0 | >> METAL,CRANK THR |
| (19-2) | 12228-17E00-0B0 | >> METAL,CRANK THR |
| (19-3) | 12228-17E00-0C0 | >> METAL,CRANK THR |
| (19-4) | 12228-17E00-0D0 | >> METAL,CRANK THR |
| (19-5) | 12228-17E00-0E0 | >> METAL,CRANK THR |
| (19-6) | 12228-17E00-0F0 | >> METAL,CRANK THR |
| (20) | 11390-35F00 | JET COMP,PISTON |
| (21) | 09280-04004 | O RING |
| (22) | 09106-06075 | BOLT |
| (23) | 09168-16002 | GASKET 16X22X2 |
| (24) | 09248-16013 | PLUG,OIL GALL N |
| (25) | 09248-10010 | BOLT |
| (26) | 09168-10002 | CRNK DRAIN PLUG |
| (27) | 09280-08012 | O RING D:1,9 ID |
| (28) | 09493-28012 | JET,OIL GALY MI |
| (29) | 11370-35F00 | COVER COMP,BREA |
| (30) | 11484-35F00 | GASKET,BREATHER |
| (31) | 01547-06303 | BOLT |
| (32) | 09103-10041 | BOLT ENGINE MOU |
| (33) | 09159-10058 | NUT |



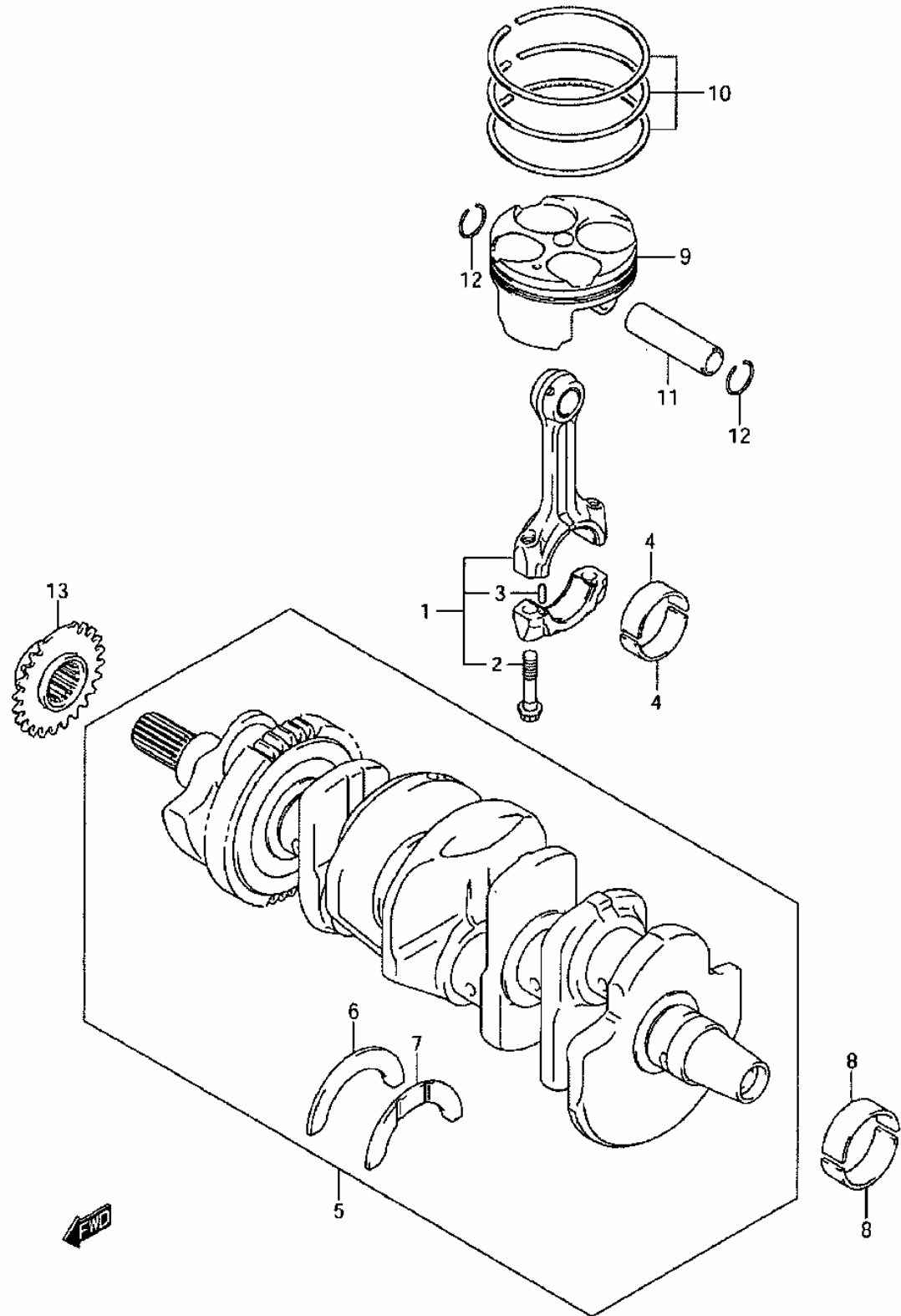
CRANKCASE COVER

- (1) 11340-35F00
COVER COMP, CLUT
- (2) 11971-33210
>> LENS, OIL LEVEL
- (3) 11482-40F00
GASKET, CL COVER
- (4) 04211-09189
PIN
- (5) 09168-06023
GASKET
- (6) 01547-06303
BOLT
- (7) 01547-06403
BOLT
- (8) 11971-25D00
PLUG, ENGINE OIL
- (9) 09280-17003
O-RING, OIL FIL
- (10) 11381-35F01
COVER, STARTER C
- (11) 11491-33E02
GASKET, STRT CL
- (12) 04211-09149
PIN 9X14
- (13) 01547-06253
BOLT
- (14) 01547-06353
BOLT
- (15) 09168-06023
GASKET
- (16) 09259-36021
PLUG, 36X10
- (17) 09280-33004
O RING CRANKSHA
- (18) 11382-33E00
CAP, STARTER IDL
- (19) 11492-33E00
GASKET, START ID
- (20) 01547-06553
BOLT
- (21) 09168-06023
GASKET
- (22) 04211-09149
PIN 9X14
- (23) 01547-06253
BOLT
- (24) 01547-06353
BOLT
- (25-1) 11351-18G01
COVER, MAGNETO
- (25-2) 11351-18G10
COVER, MAGNETO
- (26) 11483-18G00
GASKET, MAGNETO
- (27) 04211-09149
PIN 9X14
- (28) 01547-06303
BOLT
- (29) 01547-06453
BOLT
- (30) 09168-06023
GASKET
- (31) 11361-35F10
COVER, ENG SPROC
- (32) 04211-09129
9 X 12 DOWEL PI
- (33) 01547-06653
BOLT
- (34) 01547-06953
BOLT
- (35) 09250-30003
RELEASE SCREW C



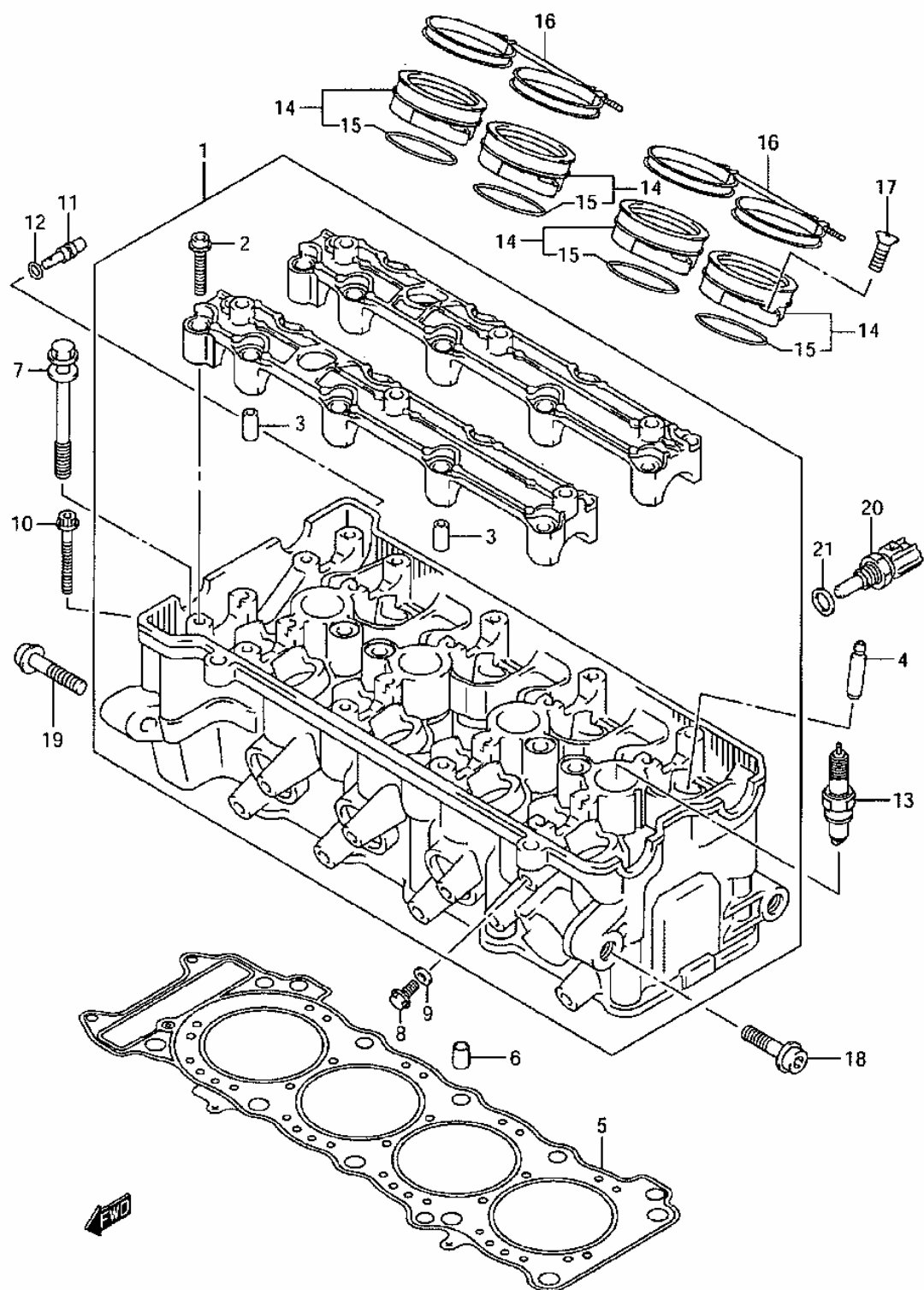
CRANKSHAFT

- (1) **12160-30G00**
CONNROD ASSY
- (2) **12163-35F00**
>> BOLT,CONNROD
- (3) **12165-27A50**
>> PIN,CONNROD
- (4-1) **12164-30G00-0A0**
BEARING,CRANK P
- (4-2) **12164-30G00-0B0**
BEARING,CRANK P
- (4-3) **12164-30G00-0C0**
BEARING,CRANK P
- (4-4) **12164-30G00-0D0**
BEARING,CRANK P
- (5) **12000-30810**
CRANKSHAFT SET
- (6) **12228-17E00-0D0**
>> METAL,CRANK THR
- (7-1) **12228-17E00-0A0**
>> METAL,CRANK THR
- (7-2) **12228-17E00-0B0**
>> METAL,CRANK THR
- (7-3) **12228-17E00-0C0**
>> METAL,CRANK THR
- (7-4) **12228-17E00-0D0**
>> METAL,CRANK THR
- (7-5) **12228-17E00-0E0**
>> METAL,CRANK THR
- (7-6) **12228-17E00-0F0**
>> METAL,CRANK THR
- (8-1) **12229-30G00-0A0**
BEARING,CRANKSH
- (8-2) **12229-30G00-0B0**
BEARING,CRANKSH
- (8-3) **12229-30G00-0C0**
BEARING,CRANKSH
- (8-4) **12229-30G00-0D0**
BEARING,CRANKSH
- (9) **12111-30G00-0F0**
PISTON
- (10) **12140-30G00**
RING SET,PISTON
- (11) **12151-35F00**
PIN,PISTON
- (12) **09381-15001**
CIRCLIP,PISTON
- (13) **12731-29G00**
SPROCKET,CAM CH



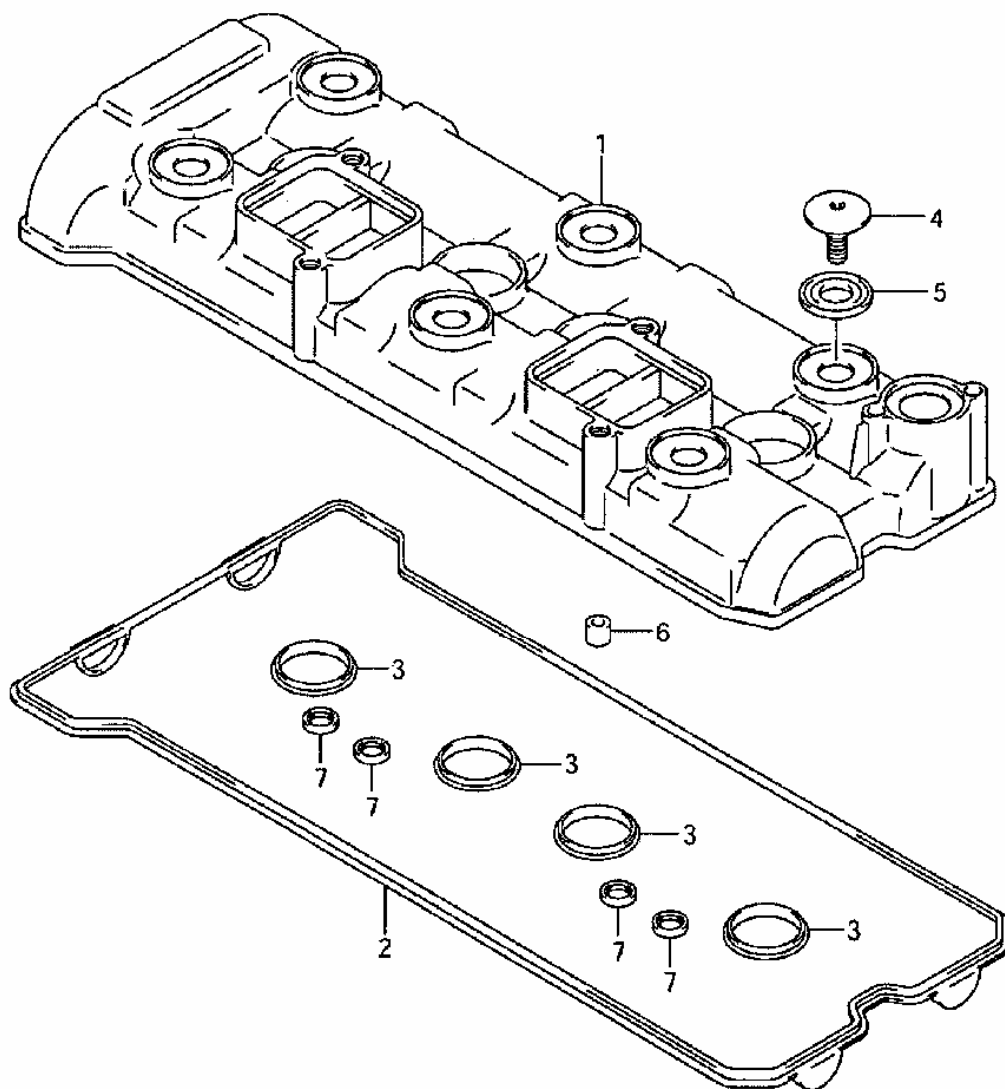
CYLINDER HEAD

- (1) **11100-30G00**
HEAD ASSY,CYLIN
- (2) **09103-06266**
>> BOLT,CAMSHAFT H
- (3) **09206-08007**
>> PIN,6.2X8X16
- (4) **11115-29G70**
GUIDE,VALVE OS
- (5) **11141-35F00**
GASKET,CYLINDER
- (6) **04211-11169**
PIN 11X16
- (7) **11117-30G00**
BOLT,CYLINDER H
- (8) **09103-06222**
BOLT,RESERVOIR
- (9) **09168-06023**
GASKET
- (10) **07120-06503**
BOLT
- (11) **09493-80005**
JET AIR
- (12) **09280-04004**
O RING
- (13-1) **09482-00458**
SPARK PLUG CR9E
- (13-2) **09482-00459**
SPARK PLUG U27E
- (13-3) **09482-00456**
SPARK PLUG CR8E
- (13-4) **09482-00460**
SPARK PLUG CR10
- (13-5) **09482-00457**
SPARK PLUG U24E
- (13-6) **09482-00461**
SPARK PLUG 432E
- (14) **13101-30G00**
PIPE ASSY,INTAK
- (15) **09280-46006**
>> O-RING
- (16-1) **13170-30G00**
CLAMP COMP,INTA
- (16-2) **13170-30G01**
CLAMP, INTAKE PIPE
- (17) **02122-06163**
SCREW 6X16
- (18) **09106-10069**
BOLT,ENG MTG HE
- (19) **09106-10070**
BOLT,ENG MTG HE
- (20) **13650-10G00**
SENSOR,WATER TE
- (21) **09168-12017**
GASKET,12X17X1



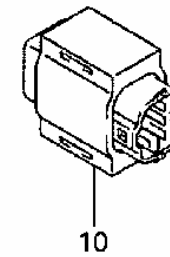
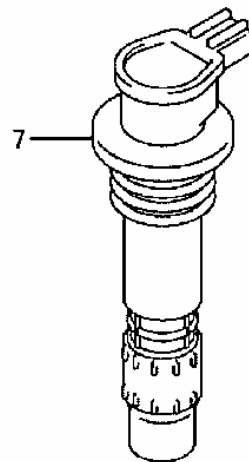
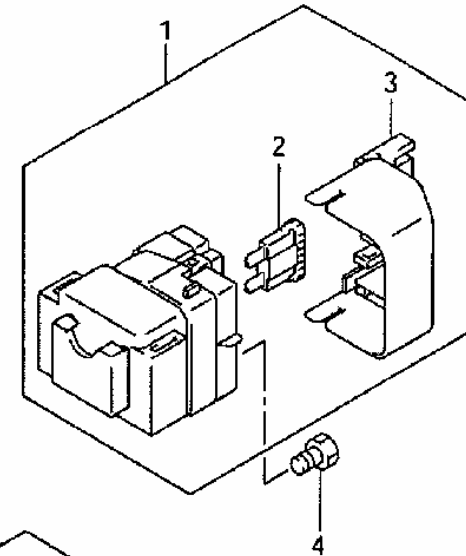
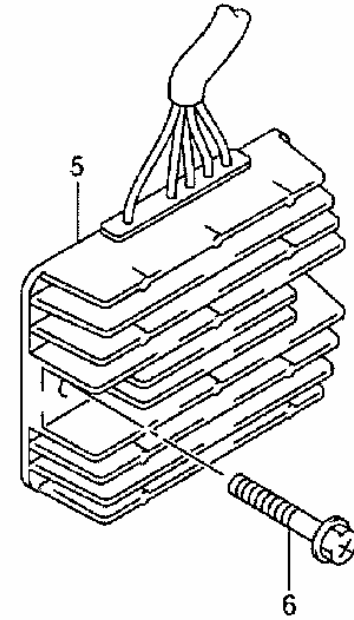
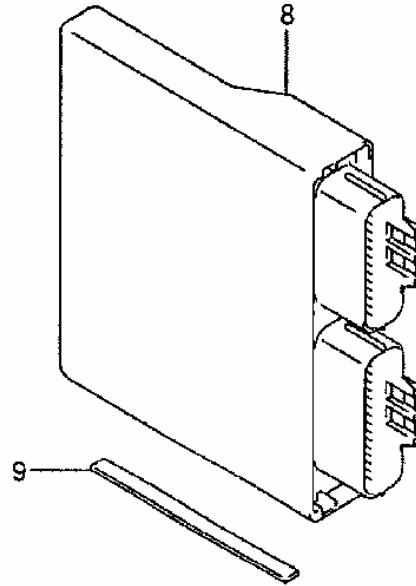
CYLINDER HEAD COVER

- (1) **11171-35F00**
COVER,CYLINDER
- (2) **11173-35F00**
GASKET,CYL HEAD
- (3) **11178-33E00**
GASKET,CYL HEAD
- (4) **09106-07009**
BOLT,L:5.5
- (5) **09161-11008**
WASHER
- (6) **09206-08007**
PIN,6.2X8X16
- (7) **11182-35F00**
GASKET,2ND AIR



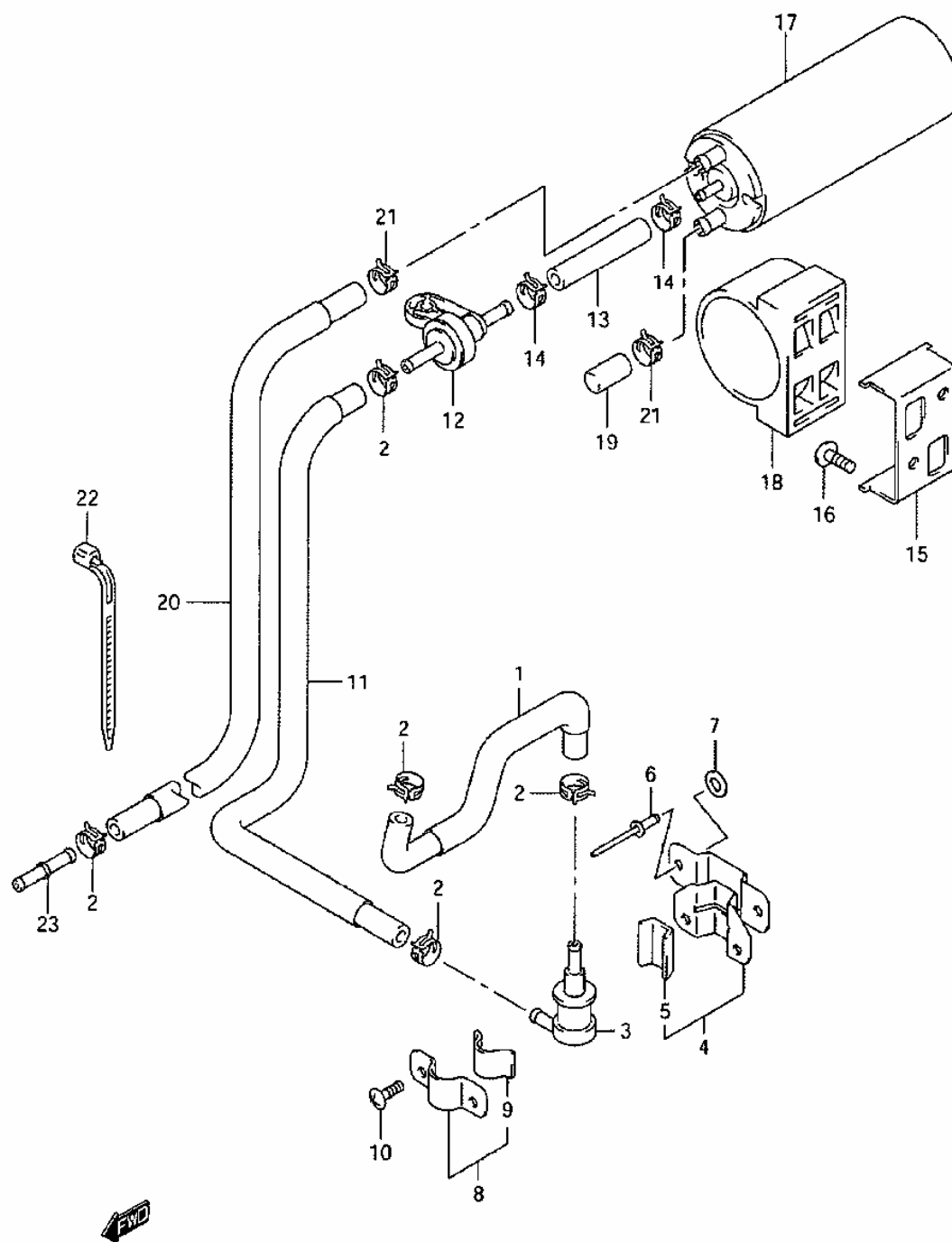
ELECTRICAL

- (1) **31800-35F00**
RELAY ASSY, STAR
- (2) **09481-30101**
>> FUSE, 30A
- (3) **31861-26E00**
>> COVER, STARTER R
- (4) **09128-06013**
SCREW
- (5) **32800-33E20**
RECTIFIER ASSY
- (6) **02162-06253**
BOLT
- (7) **33410-35F10**
COIL ASSY, IGNIT
- (8) **32920-30G20**
CONTROL UNIT, FI
- (9) **33652-42F00**
CUSHION
- (10) **33960-06G00**
SENSOR ASSY, FUE



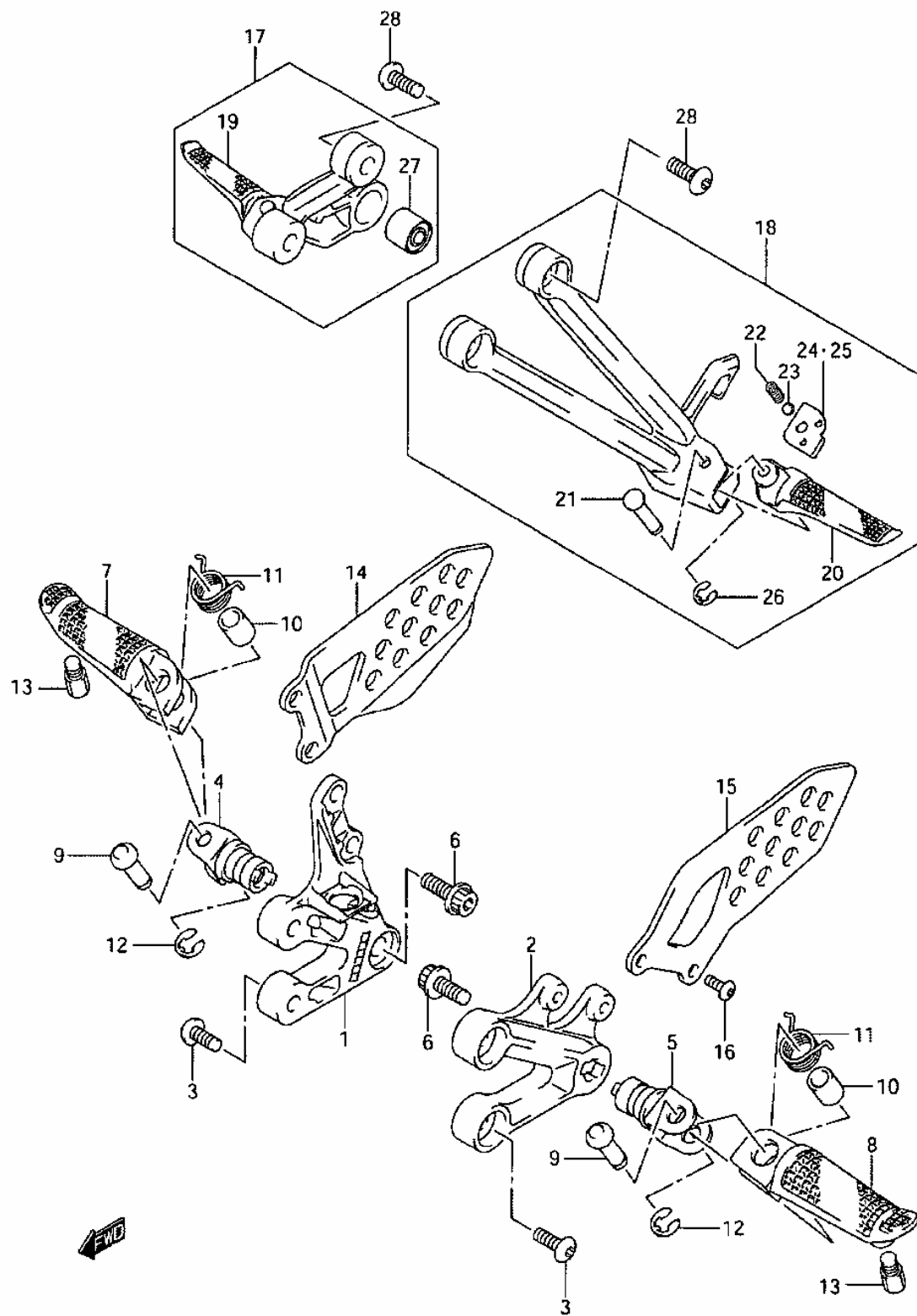
EVAPO SYSTEM E33

- (1) **44434-29G00**
HOSE,TANK & BRT
- (2) **09401-11413**
CLIP (CA) ONLY
- (3) **44240-17C00**
(CA) VALVE,FUEL
- (4) **44890-18G00**
PLATE COMP,BRTH
- (5) **44894-24A00**
>> CUSHION
- (6) **09229-04038**
RIVET
- (7) **08322-01043**
WASHER
- (8) **44892-24A00**
PLATE,FUEL TANK
- (9) **44894-24A00**
>> CUSHION
- (10) **02142-04083**
SCREW 4X8
- (11) **44435-29G00**
HOSE,BRTHR VALV
- (12) **44240-24F00**
VALVE,2 WAY & B
- (13) **09355-54116-600**
HOSE,L:600
- (14) **09401-11413**
CLIP (CA) ONLY
- (15) **44881-18G00**
BRACKET,CANISTE
- (16) **09139-06055**
SCREW,6X10
- (17) **17210-26E00**
CNISTR ASSY,CHA
- (18) **44883-06G00**
(CA)CUSHION,CAN
- (19) **09251-07003**
CAP
- (20) **44436-29G00**
HOSE,CSTR PURGE
- (21) **09401-12404**
CLIP
- (22) **09407-14408**
Discontinued
- (23) **09364-06009**
JOINT



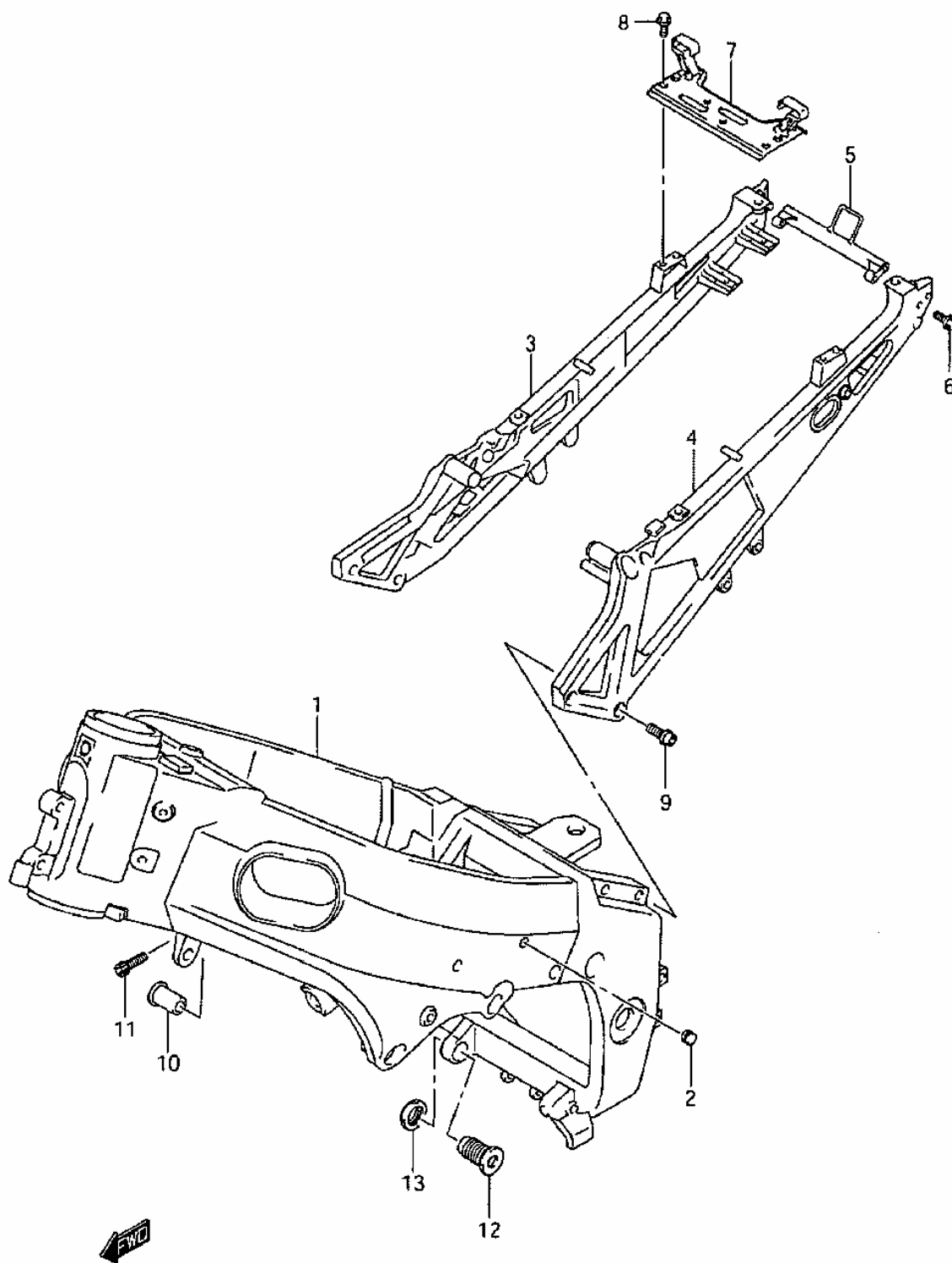
FOOTREST

- (1) **43511-29G00**
BRACKET,FR FOOT
- (2) **43521-29G00**
BRACKET,FR FOOT
- (3) **09106-08167**
BOLT,FR FOOTRES
- (4) **43530-35F10**
HOLDER,FOOTREST
- (5) **43540-35F10**
HOLDER,FOOTREST
- (6) **09106-10064**
BOLT
- (7) **43516-35F00**
BAR,FRONT FOOTR
- (8) **43526-35F00**
BAR,FRONT FOOTR
- (9) **09208-08014**
PIN
- (10) **09180-08149**
SPACER,8.1X12X2
- (11) **09448-18022**
SPRING
- (12) **08332-11063**
E RING 6MM
- (13) **43576-07D01**
BOLT,BANK SENSO
- (14) **43571-29G00**
GUARD,FR FOOTRE
- (15) **43576-29G00**
GUARD,FRONT FOO
- (16) **43577-35F00**
SCREW FOOTREST
- (17) **43600-29G00**
FOOTREST ASSY,P
- (18) **43700-29G00**
FOOTREST ASSY,P
- (19) **43611-35F01**
>> BAR,PILLION FOO
- (20) **43621-35F01**
>> BAR,PILLION FOO
- (21) **09208-06007**
>> PIN
- (22) **09440-05005**
>> SPRING
- (23) **06111-07004**
>> STEEL BALL 7/32
- (24) **43816-33E21**
>> PLATE,PILLION F
- (25) **43826-33E22**
>> PLATE,PILLION F
- (26) **08332-11043**
>> E RING
- (27) **09319-08046**
>> BUSH
- (28) **09106-08150**
BOLT



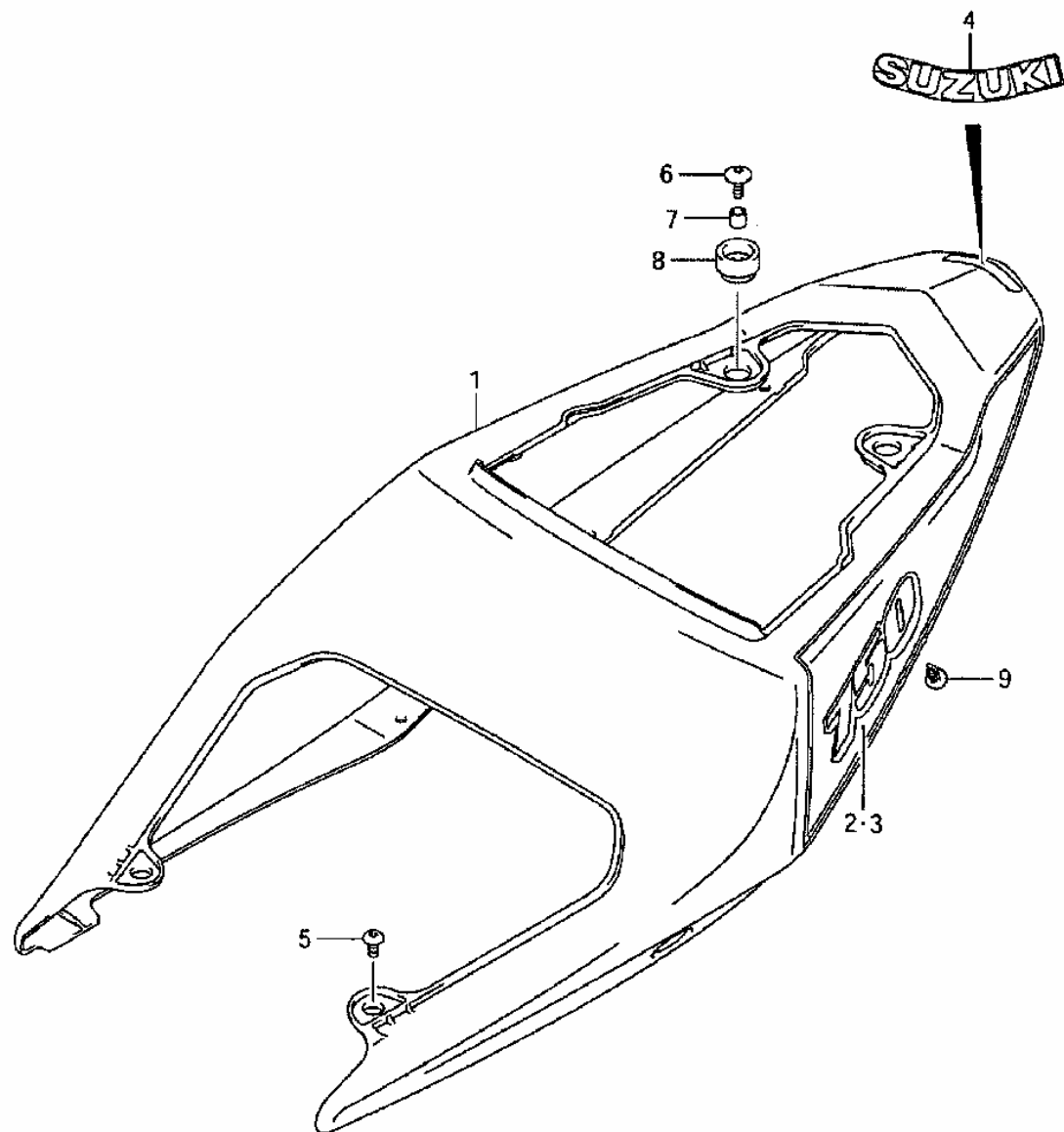
FRAME

- (1) **41100-30G00-YAP**
FRAME, GSR-R750
- (2) **43585-29G00**
CAP, TANK RAIL
- (3) **41211-29G00**
RAIL, SEAT, R
- (4) **41221-29G00**
RAIL, SEAT, L
- (5) **41231-29G00**
HOOK, PILLION SE
- (6) **09103-08288**
BOLT 8 X 25
- (7) **41770-29G00**
BRIDGE, SEAT RAI
- (8) **09103-06083**
BOLT
- (9) **41233-18G00**
BOLT, SEAT RAIL
- (10) **41911-40F01**
SPACER, ENGINE M
- (11) **09106-08170**
BOLT
- (12) **41921-35F00**
BOLT, CRANK CASE
- (13) **41922-18G00**
NUT, ADJUST BOLT



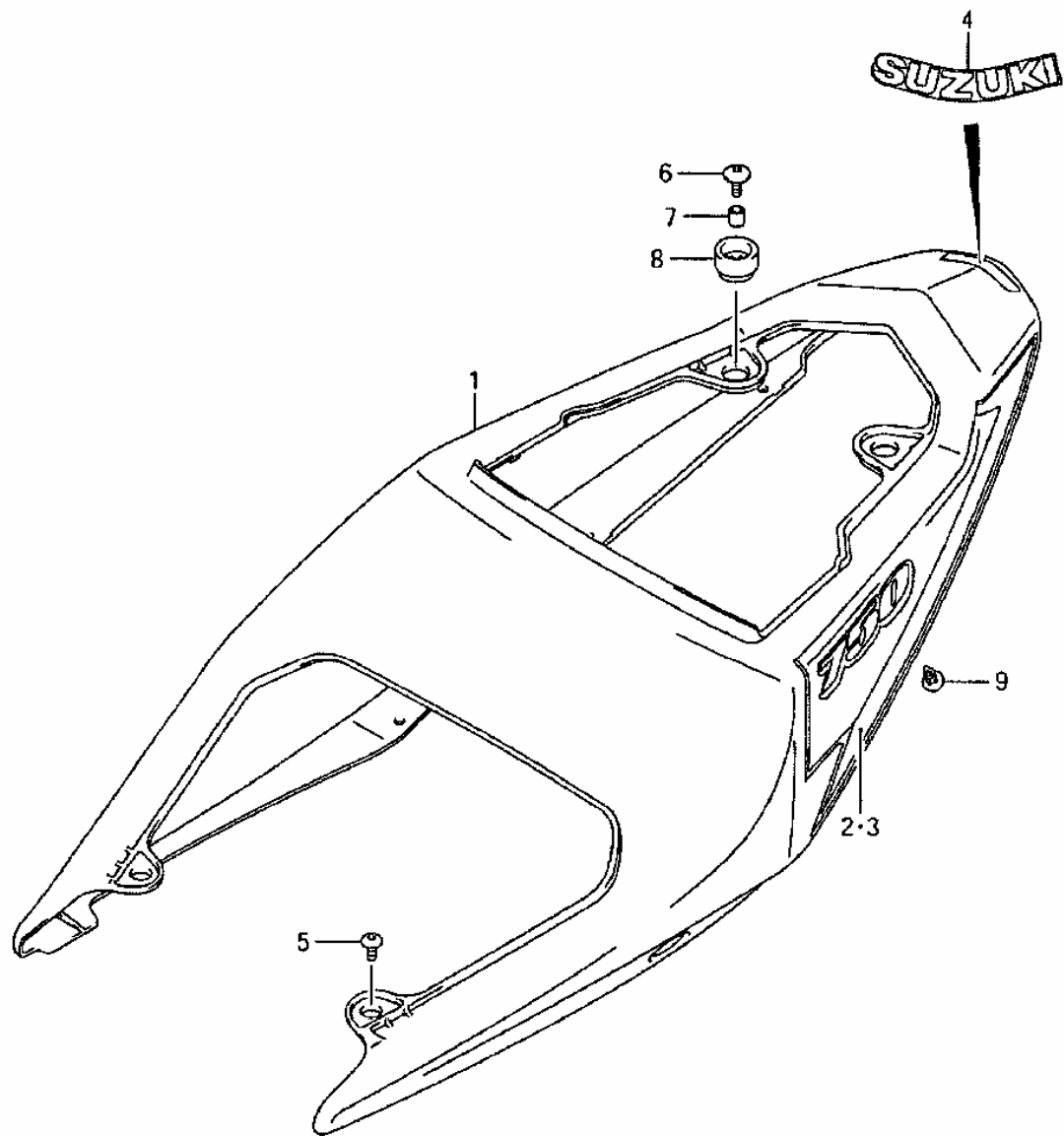
FRAME COVER MODEL K4

- (1-1) **47100-30G00-YBD**
COVER ASSY,FRAM
- (1-2) **47100-30G00-YEC**
COVER ASSY,FRAM
- (1-3) **47100-30G00-YU8**
COVER, FRAME (GRAY)
- (2-1) **68135-30G00-AYE**
>> TAPE,FRAME COVE
- (2-2) **68135-30G00-AVH**
>> TAPE,FRAME COVE
- (2-3) **68135-30G00-AKS**
>> TAPE,FRAME COVE
- (3-1) **68145-30G00-AYE**
>> TAPE,FRAME COVE
- (3-2) **68145-30G00-AVH**
>> TAPE,FRAME COVE
- (3-3) **68145-30G00-AKS**
>> TAPE,FRAME COVE
- (4-1) **68280-04F00-019**
>> EMBLEM,SUZUKI(B
- (4-2) **68280-04F00-YD8**
>> EMBLEM,"SUZUKI"
- (5) **09139-06131**
SCREW,FRONT FEN
- (6) **09139-06030**
SCREW
- (7) **09180-06286**
SPACER,6.5X10X9
- (8) **09320-10045**
CUSHION
- (9) **09409-06314-5PK**
CLIP(BLACK)



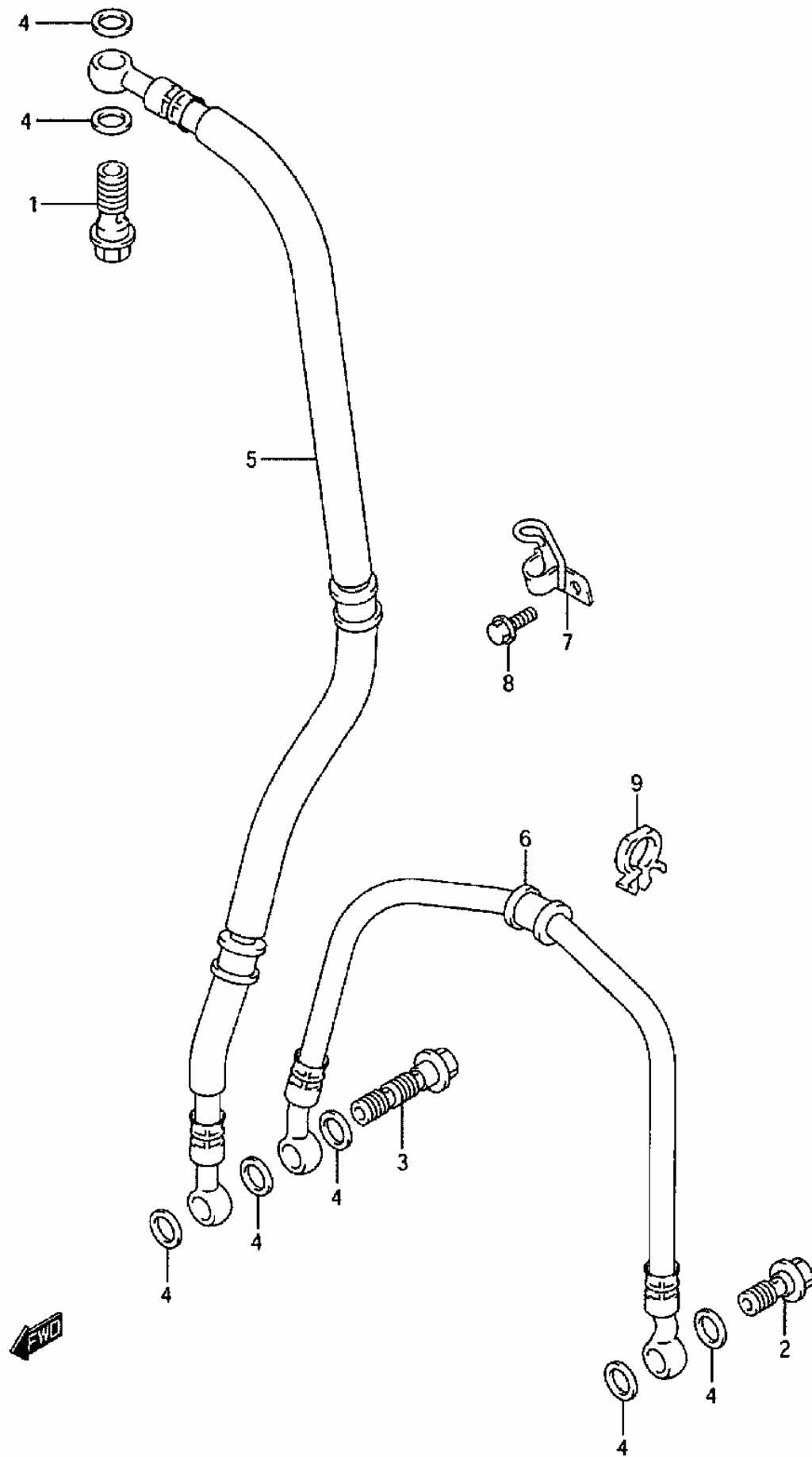
FRAME COVER MODEL K5

- (1-1) **47100-30G10-YBA**
COVER, FRAME (BLUE)
- (1-2) **47100-30G10-4JX**
COVER, FRAME (BLUE)
- (1-3) **47100-30G10-YEC**
COVER, FRAME (YELLOW)
- (2-1) **68135-30G10-ATM**
>> TAPE, RH
- (2-2) **68135-30G10-BRA**
>> TAPE, RH
- (2-3) **68135-30G10-BRB**
>> TAPE, RH
- (3-1) **68145-30G10-ATM**
>> TAPE, LH
- (3-2) **68145-30G10-BRA**
>> TAPE, LH
- (3-3) **68145-30G10-BRB**
>> TAPE, LH
- (4-1) **68280-04F00-019**
>> EMBLEM, SUZUKI(B)
- (4-2) **68280-04F00-YD8**
>> EMBLEM, "SUZUKI"
- (5) **09139-06131**
SCREW, FRONT FEN
- (6) **09139-06030**
SCREW
- (7) **09180-06286**
SPACER, 6.5X10X9
- (8) **09320-10045**
CUSHION
- (9) **09409-06314-5PK**
CLIP (BLACK)



FRONT BRAKE HOSE

- (1) **09360-10042**
BOLT
- (2) **09360-10042**
BOLT
- (3) **09360-10044**
BOLT
- (4) **09161-10009**
WASHER
- (5) **59480-29G00**
HOSE COMP,FR BR
- (6) **59240-29G00**
HOSE COMP,FR BR
- (7) **59260-40F00**
CLAMP,FRONT BRA
- (8) **01547-06123**
BOLT 6X12 BLK 8
- (9) **09403-14304**
CLAMP



FRONT CALIPER

(1-1) **59100-29G00-999**
CALIPER ASSY,FR

(1-2) **59300-29G00-999**
CALIPER ASSY,FR

(2) **59100-35890**

>> PISTON SET

(3) **59100-29830**

>>> SEAL SET,PISTON

(4) **59141-18G00**

>> PIN,PAD

(5) **59145-18G00**

>> BOLT

(6) **59151-29G00**

>> SPRING,PAD

(7) **59121-18410**

>> BLEEDER

(8) **55156-66310**

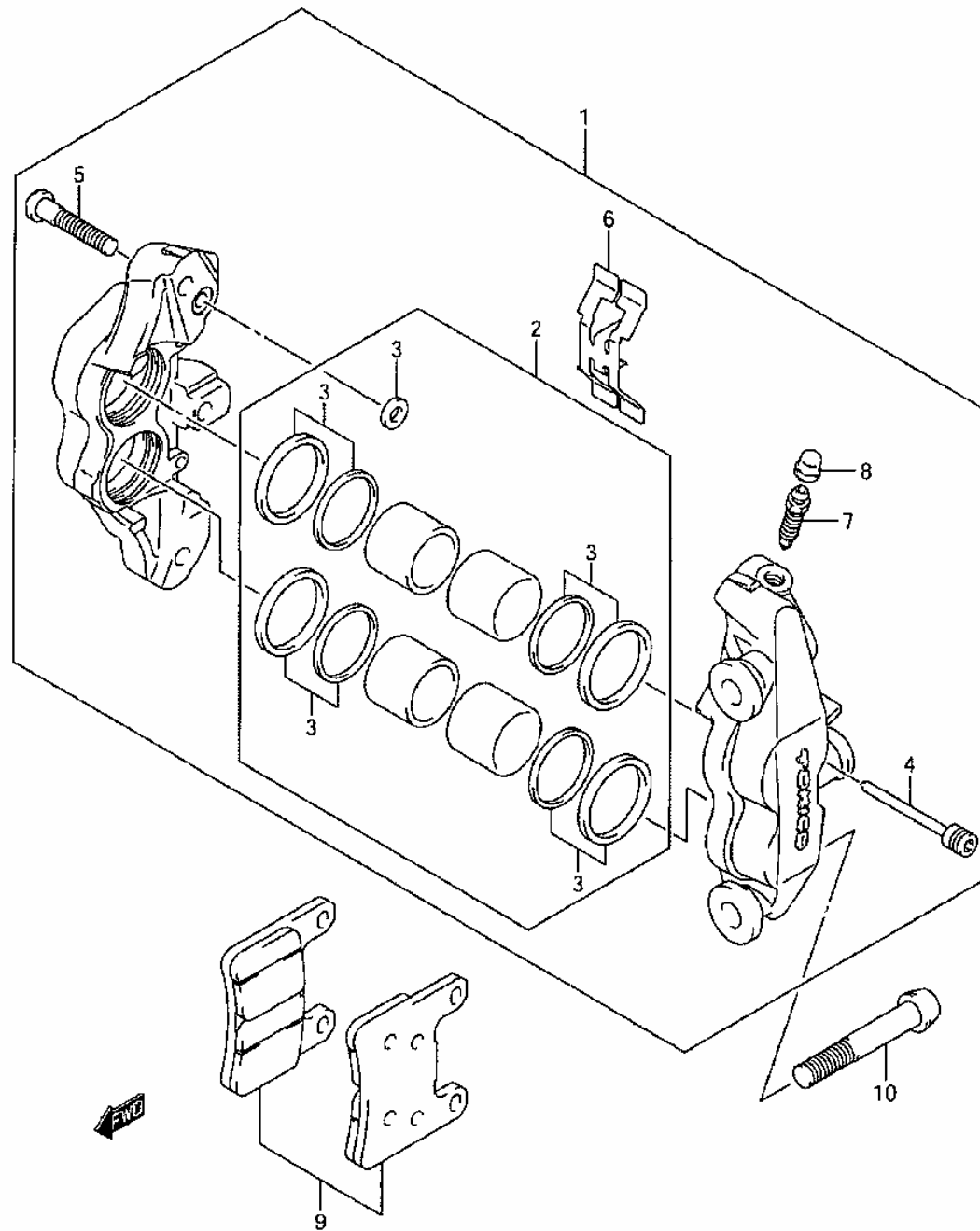
>> CAP,BLEEDER PLU

(9) **59100-29820**

PAD SET

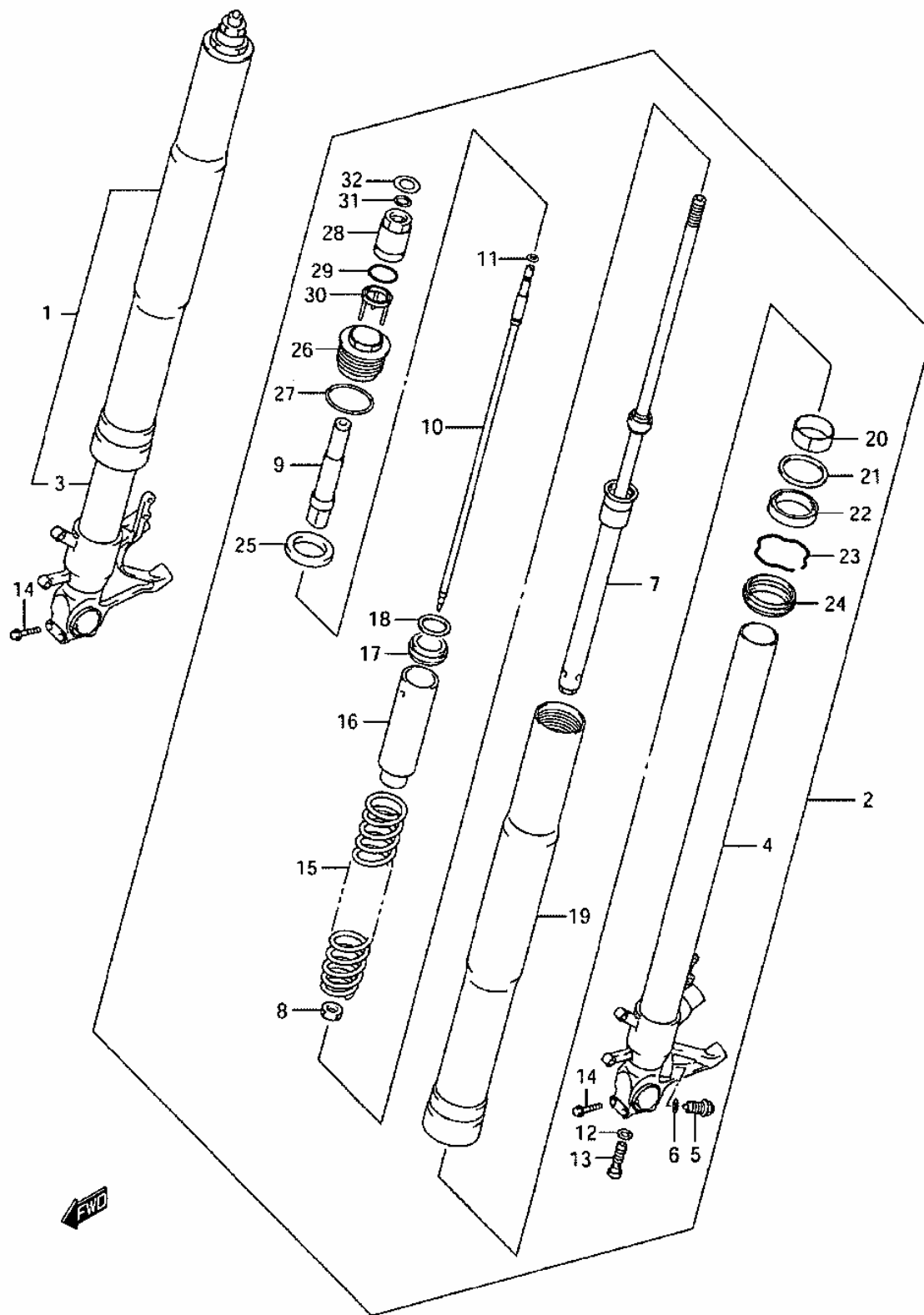
(10) **09106-10076**

BOLT,FRONT CALI



FRONT DAMPER

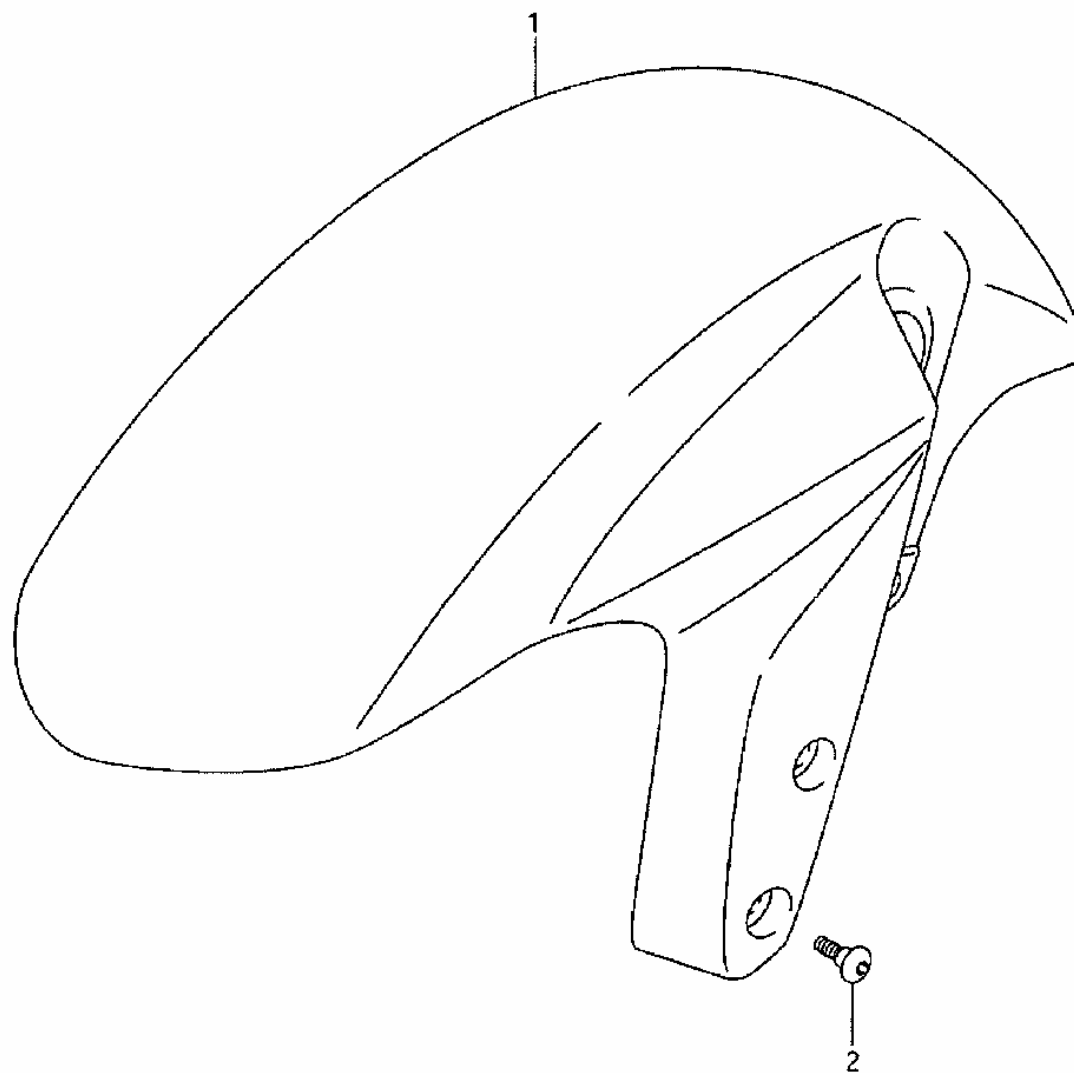
- (1) **51103-30G00**
DAMPER ASSY,FRO
- (2) **51104-30G00**
DAMPER ASSY,FRO
- (3) **51110-29G00**
>> TUBE,INNER,R
- (4) **51120-29G00**
>> TUBE,INNER,L
- (5) **51830-29G00**
>> PIECE,ADJUST
- (6) **09280-14011**
>> O RING
- (7) **52110-30G00**
>> ROD,FRONT DAMPE
- (8) **51827-29G00**
>>> NUT
- (9) **51829-29G00**
>>> CASE,ADJUST
- (10) **51821-29G00**
>>> PIECE,ADJUST
- (11) **09280-03002**
>>> OIL PUMP GASKET
- (12) **09161-10009**
>> WASHER
- (13) **51147-17C00**
>> BOLT
- (14) **51166-35F00**
>> BOLT
- (15) **51171-29G00**
>> SPRING,MAIN
- (16) **51176-29G00**
>> COLLAR,SPRING
- (17) **51175-22D00**
>> GUIDE,SPRING,UP
- (18) **51172-34370**
>> GUIDE,SPRING CO
- (19) **51131-29G00**
>> TUBE,OUTER
- (20) **51152-13E00**
>> BUSH,GUIDE
- (21) **51168-29G00**
>> SPACER,SEAL
- (22) **51553-27G00**
>> SEAL,OIL
- (23) **51556-38B00**
>> RING STOPPER
- (24) **51173-27G00**
>> SEAL,DUST
- (25) **51193-17D00**
>> RUBBER,SEAT
- (26) **51189-35F00**
>> BOLT,FORK
- (27) **51187-08D00**
>> O RING,FORK BOL
- (28) **51828-35F00**
>> ADJUSTER,SPRING
- (29) **51199-17D00**
>> O RING
- (30) **51823-22D30**
>> PLATE,SPRING,AD
- (31) **51837-17D00**
>> RING,STOPPER
- (32) **51149-42E00**
>> LABEL,ADJUST



FRONT FENDER

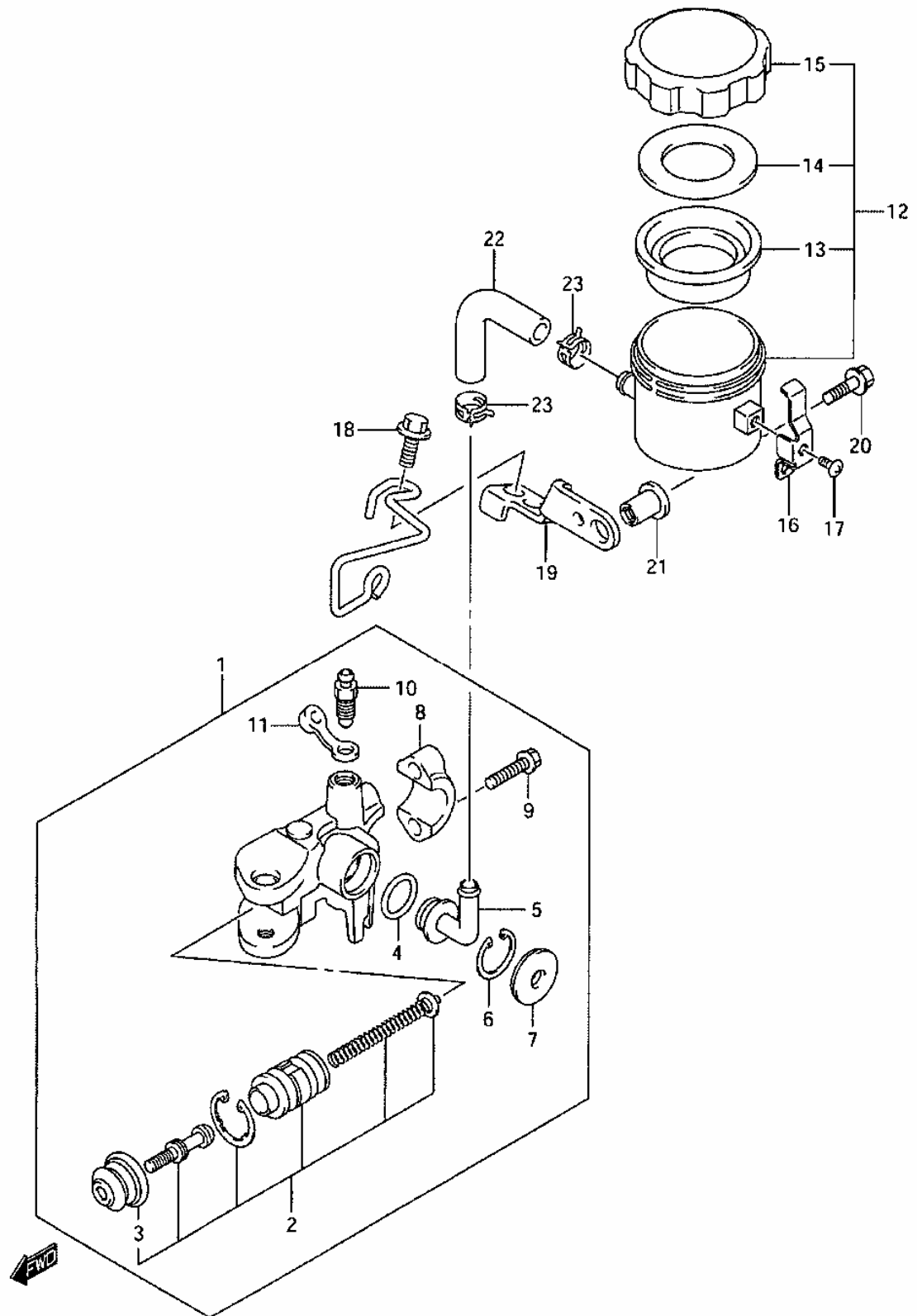
(1) [53110-18G00-019](#)
FENDER COMP,FRO

(2) [09139-06107](#)
SCREW



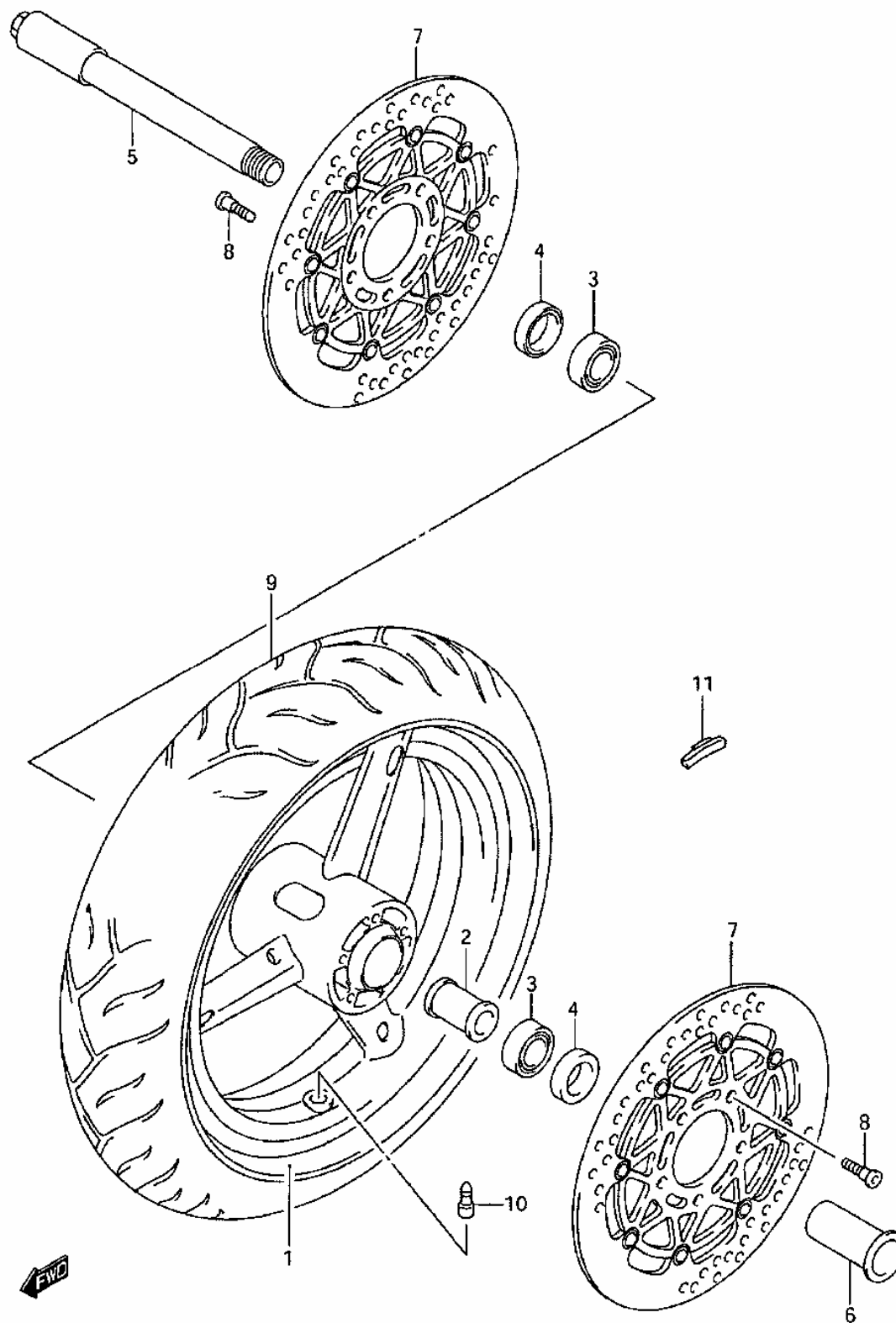
FRONT MASTER CYLINDER

- (1) **59600-29G00**
CYLINDER ASSY,F
- (2) **59600-29810**
>> PISTON / CUP SE
- (3) **59666-29G00**
>>> BOOT
- (4) **69686-34200**
>> O RING CONNECTO
- (5) **59672-17C00**
>> CONNECTOR
- (6) **69674-00B20**
>> CIRCLIP
- (7) **59673-17C00**
>> COVER,DUST
- (8) **59671-36500**
>> HOLDER MST CYLI
- (9) **59675-02FA0**
>> BOLT,6X22
- (10) **59121-01A00**
>> BLEEDER
- (11) **59122-01A00**
>> CAP BLEEDER
- (12) **59740-07D00**
TANK ASSY,RESER
- (13) **59667-18441**
>> DIAPHRAGM,MASTE
- (14) **59668-18441**
>> PLATE,DIAPHRAGM
- (15) **59669-07D00**
>> CAP,MASTER CYLI
- (16) **59743-17C00**
PLATE,RESERVOIR
- (17) **02142-04103**
SCREW 4X10
- (18) **09111-05004**
BOLT
- (19) **59751-29G00**
BRACKET,FR RESE
- (20) **01550-06163**
BOLT
- (21) **94619-27A00**
NUT COWLING SCR
- (22) **59731-33C10**
HOSE,FRONT RESO
- (23) **59735-17C00**
CLAMP,RESERVOIR



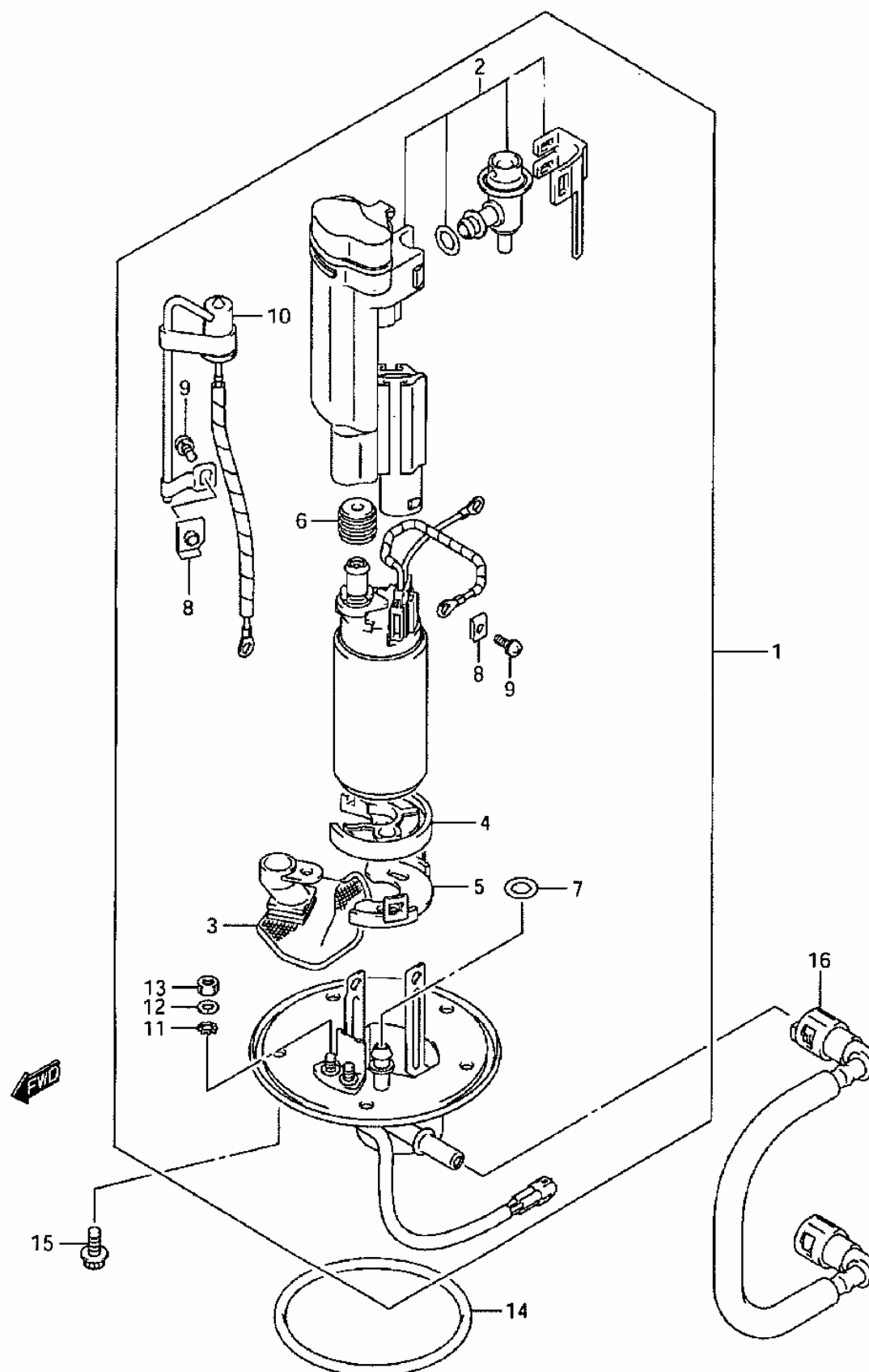
FRONT WHEEL

- (1) **54111-35F01-019**
WHEEL,FR,17M/CX
- (2) **54731-35F10**
SPACER,FR HUB B
- (3) **09262-25061**
B1 25X52X15 BEA
- (4) **09285-32004**
SEAL,32X52X7
- (5) **54711-35F10**
AXLE,FRONT
- (6) **54712-33E00**
NUT,FRONT AXLE
- (7) **59210-18G30**
DISC,FRONT BRAK
- (8) **09106-08148**
BOLT,8X33
- (9) **55110-30G10**
TIRE,FR,120/70
- (10) **43130-24A00**
VALVE ASSY
- (11-1) **43222-73H10**
WEIGHT,WHEEL BA
- (11-2) **43224-73H10**
WEIGHT,WHEEL BA
- (11-3) **43226-73H10**
WEIGHT,WHEEL BA



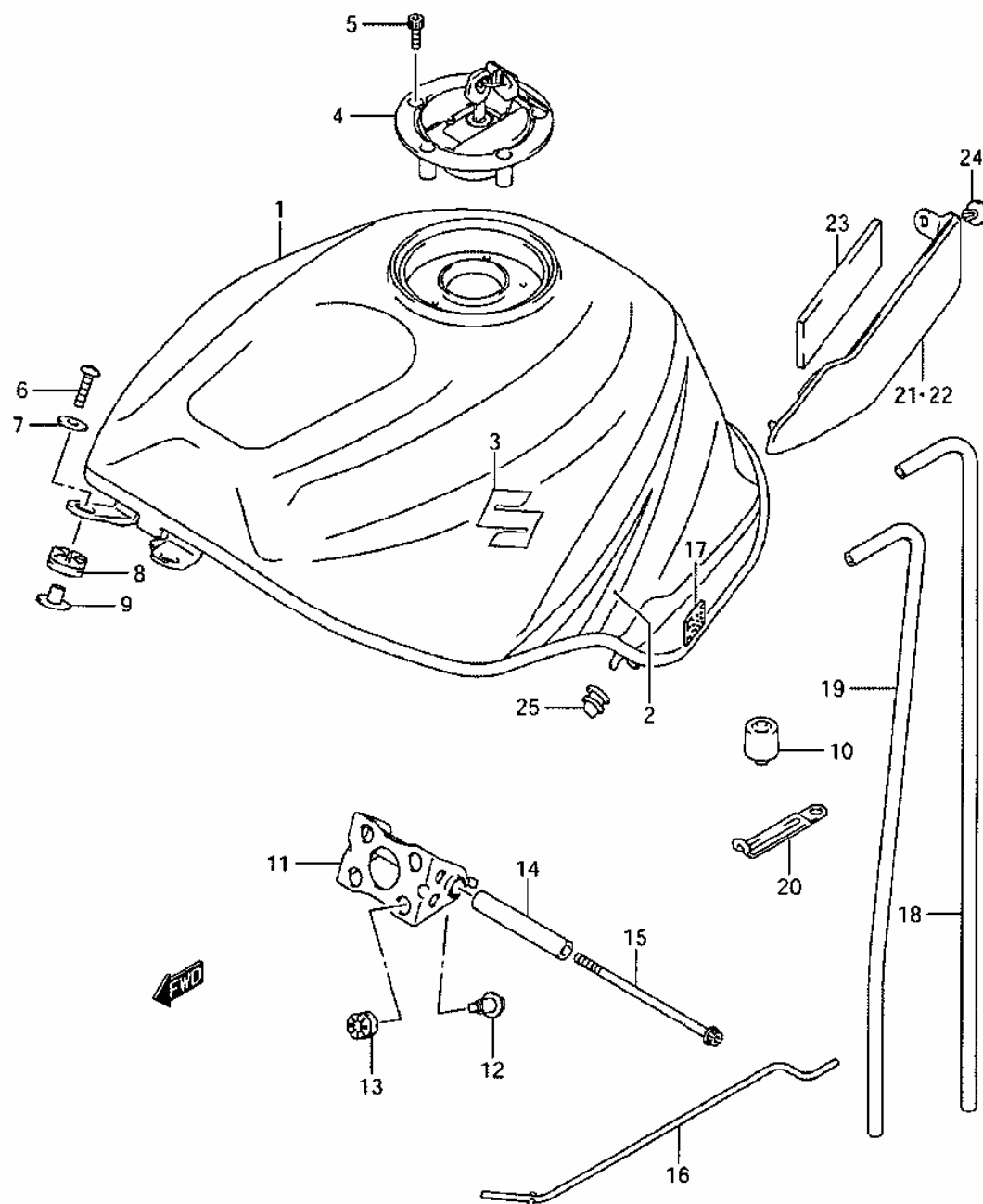
FUEL PUMP

- (1) **15100-29G00**
PUMP ASSY,FUEL
- (2) **15410-42F00**
>> FILTER ASSY,FUE
- (3) **15420-24FB0**
>> STRAINER,FUEL P.
- (4) **15111-35F00**
>> CUSHION,FUEL PU
- (5) **15112-42F00**
>> HOLDER,FUEL PUM
- (6) **15114-35F00**
>> BUSH,FUEL PUMP
- (7) **15113-35F00**
>> O RING
- (8) **15115-35F00**
>> NUT
- (9) **15116-35F10**
>> SCREW
- (10) **15170-29G00**
>> THERMISTOR
- (11) **15171-35F00**
>> WASHER
- (12) **15172-35F00**
>> SPRING WASHER
- (13) **15173-35F00**
>> NUT
- (14) **15201-35F00**
O-RING,FUEL PUM
- (15) **07120-06123**
BOLT
- (16) **15810-18G00**
HOSE COMP,FUEL



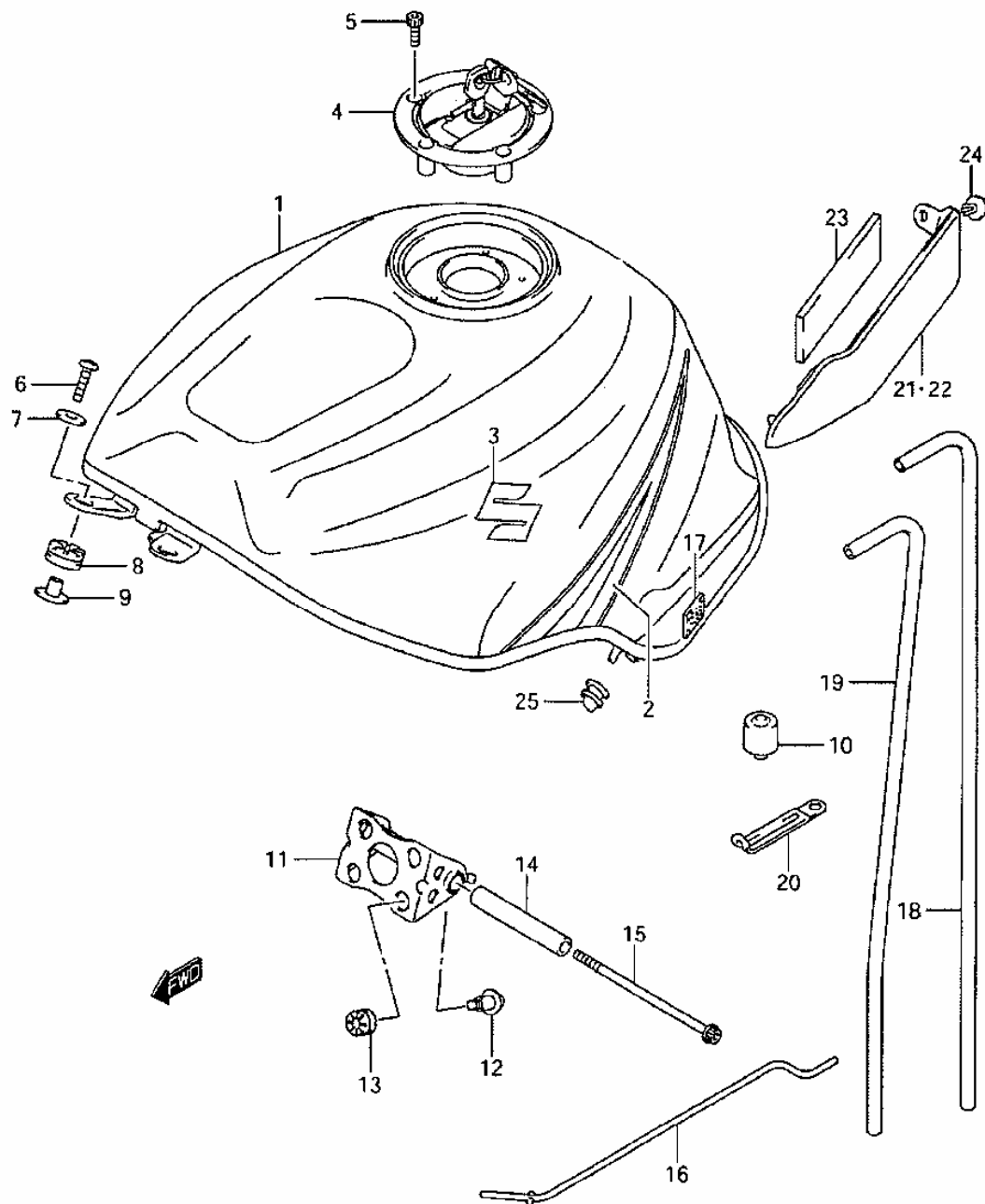
FUEL TANK MODEL K4

- (1-1) **44100-30G00-YBA**
TANK ASSY,FUEL
- (1-2) **44100-30G00-YEC**
TANK ASSY,FUEL
- (1-3) **44100-30G00-YU8**
TANK ASSY, FUEL (GRAY)
- (1-4) **44100-30G20-YBA**
TANK ASSY,FUEL
- (1-5) **44100-30G20-YEC**
TANK ASSY,FUEL
- (1-6) **44100-30G20-YU8**
TANK ASSY, FUEL (GRAY)
- (2-1) **68110-30G00-AWW**
>> TAPE SET,FUEL T
- (2-2) **68110-30G00-ATP**
>> TAPE SET,FUEL T
- (2-3) **68110-30G00-ATR**
>> TAPE SET
- (3-1) **68111-18G00-ABF**
>> EMBLEM,FUEL TAN
- (3-2) **68111-18G00-ATF**
>> EMBLEM
- (3-3) **68111-18G00-ANA**
>> EMBLEM,FUEL TAN
- (4-1) **44200-16850**
CAP SET,FUEL TA
- (4-2) **44200-16860**
CAP SET,FUEL TA
- (5) **09106-05017**
BOLT, L:20
- (6) **09139-06029**
SCREW
- (7) **09160-06054**
WASHER
- (8) **44511-16G00**
CUSHION,FUEL TA
- (9) **44512-16G00**
SPACER,FUEL TAN
- (10) **44542-29G00**
CUSHION,FUEL TA
- (11) **44530-29G00**
BRACKET COMP,FU
- (12) **09139-06132**
SCREW,FUEL TANK
- (13) **09320-08071**
CUSHION,FUEL TA
- (14) **44561-18G00**
SPACER,FUEL TAN
- (15) **09106-06103**
BOLT
- (16) **44574-35F00**
STAY,FUEL TANK
- (17) **44572-13G00**
FASTENER,FUEL T
- (18) **44423-16G01**
HOSE,WATER DRAI
- (19) **44424-18G00**
HOSE,BREATHER
- (20) **09404-06431**
Discontinued
- (21) **44171-29G00-291**
COVER,FUEL TANK
- (22) **44181-29G00-291**
COVER,FUEL TANK
- (23) **44277-29G00**
CUSHION,FUEL TA
- (24) **09409-08314-6GS**
CLIP(GRAY)FUEL
- (25) **44276-29G00**
CUSHION,FUEL TA



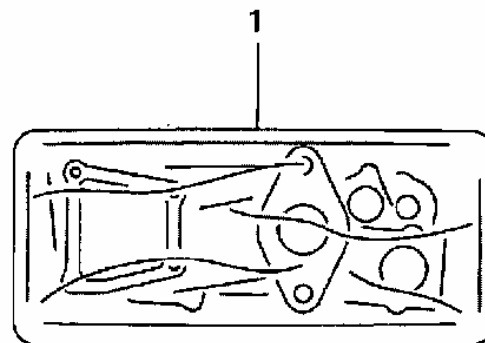
FUEL TANK MODEL K5

- (1-1) **44100-29G30-4HX**
TANK ASSY, FUEL (BLUE)
- (1-2) **44100-29G30-4JX**
TANK ASSY, FUEL (BLUE)
- (1-3) **44100-29G30-4KK**
TANK ASSY, FUEL (YELLOW)
- (1-4) **44100-29G50-4HX**
TANK ASSY, FUEL (BLUE)
- (1-5) **44100-29G50-4JX**
TANK ASSY, FUEL (BLUE)
- (1-6) **44100-29G50-4KK**
TANK ASSY, FUEL (GRAY)
- (2-1) **68110-29G10-LW8**
>> TAPE SET
- (2-2) **68110-29G10-BPY**
>> TAPE SET
- (2-3) **68110-29G10-BPZ**
>> TAPE SET
- (3) **68111-18G20**
EMBLEM,"S"
- (4-1) **44200-16850**
CAP SET,FUEL TA
- (4-2) **44200-16860**
CAP SET,FUEL TA
- (5) **09106-05017**
BOLT, L:20
- (6) **09139-06029**
SCREW
- (7) **09160-06054**
WASHER
- (8) **44511-16G00**
CUSHION,FUEL TA
- (9) **44512-16G00**
SPACER,FUEL TAN
- (10) **44542-29G00**
CUSHION,FUEL TA
- (11) **44530-29G00**
BRACKET COMP,FU
- (12) **09139-06132**
SCREW,FUEL TANK
- (13) **09320-08071**
CUSHION,FUEL TA
- (14) **44561-18G00**
SPACER,FUEL TAN
- (15) **09106-06103**
BOLT
- (16) **44574-35F00**
STAY,FUEL TANK
- (17) **44572-13G00**
FASTENER,FUEL T
- (18) **44423-16G01**
HOSE,WATER DRAI
- (19) **44424-18G00**
HOSE,BREATHER
- (20) **09404-06431**
Discontinued
- (21) **44171-29G00-291**
COVER,FUEL TANK
- (22) **44181-29G00-291**
COVER,FUEL TANK
- (23) **44277-29G00**
CUSHION,FUEL TA
- (24) **09409-08314-6GS**
CLIP(GRAY)FUEL
- (25) **44276-29G00**
CUSHION,FUEL TA



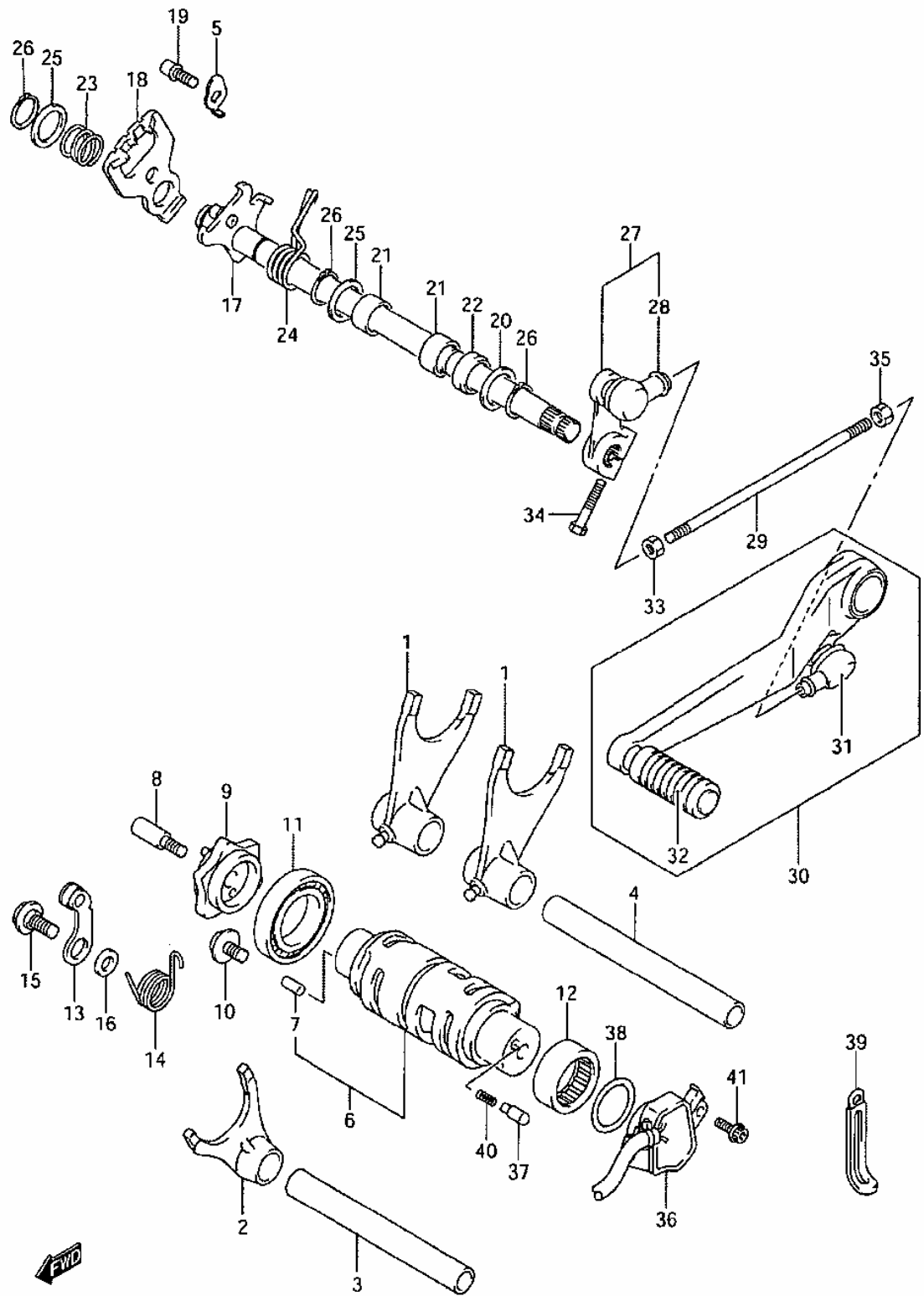
GASKET SET

- (1) **11402-30810**
GASKET SET
- (2) **11141-35F00**
>> GASKET,CYLINDER
- (3) **11173-35F00**
>> GASKET,CYL HEAD
- (4) **11178-33E00**
>> GASKET,CYL HEAD
- (5) **11182-35F00**
>> GASKET,2ND AIR
- (6) **11482-40F00**
>> GASKET,CL COVER
- (7) **11483-18G00**
>> GASKET,MAGNETO
- (8) **11484-35F00**
>> GASKET,BREATHER
- (9) **11491-33E02**
>> GASKET, STRT CL
- (10) **11492-33E00**
>> GASKET,START ID
- (11) **12837-18G00**
>> GASKET,TENSIONE
- (12) **14181-02F00**
>> GASKET,MUF JOIN
- (13) **14181-46E00**
>> GASKET,EXHAUST
- (14) **15201-35F00**
>> O-RING,FUEL PUM
- (15) **16491-35F00**
>> O-RING,OIL PUMP
- (16) **09161-11008**
>> WASHER
- (17) **09280-19008**
>> O-RING,ID:20.3,
- (18) **09280-33004**
>> O RING CRANKSHA



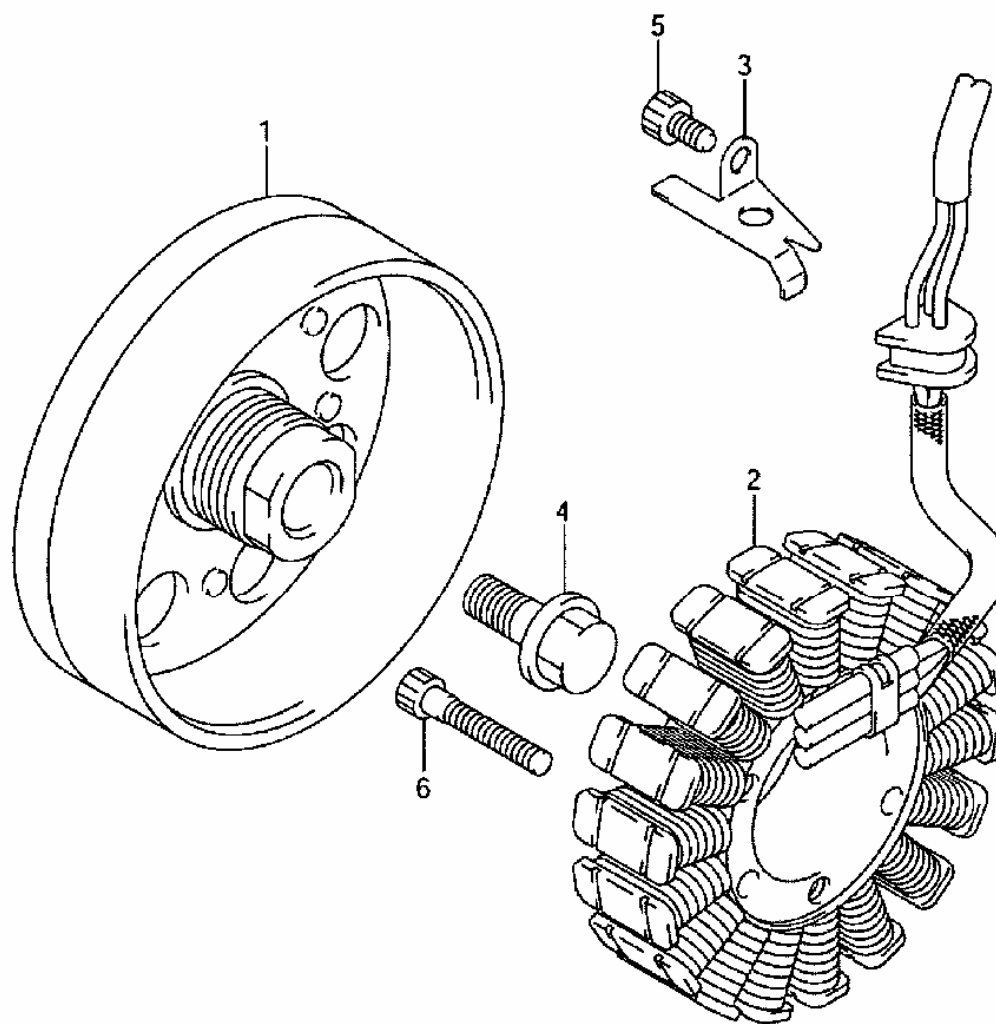
GEAR SHIFTING

- (1) 25211-35F10
FORK,GEAR SHIFT
- (2) 25231-35F10
FORK,GEAR SHIFT
- (3) 25411-26D01
SHAFT,GEAR SHIF
- (4) 25411-35F00
SHAFT,GEAR SHIF
- (5) 25451-35F00
RETAINER,GEAR S
- (6) 25310-35F00
CAM,GEAR SHIFT
- (7) 04221-04089
>> PIN 4X8
- (8) 25312-42F00
BOLT,GEAR SHIFT
- (9) 25381-13E30
PLATE,GEAR SHIF
- (10) 09136-06147
SCREW,6X12
- (11) 09262-25006
B1 25X47X8 BRG
- (12) 09263-25018
RN 25X32X12 BRG
- (13) 25350-35F00
STOPPER,SHIFT C
- (14) 25355-03G00
SPRING,SHIFT CA
- (15) 09111-06041
BOLT
- (16) 08211-06141
WASHER,GEAR SHI
- (17) 25510-40F00
SHAFT,GEAR SHIF
- (18) 25512-06G10
PLATE,GEAR SHIF
- (19) 25671-35F00
STOPPER,GEAR SH
- (20) 09160-14016
K S SHAFT THR W
- (21) 09263-14027
RN 14X20X12 BRG
- (22) 09283-14006
SEAL,OIL,13X22X
- (23) 09440-17009
SPRING
- (24) 09444-20001
SPRING
- (25) 09181-14167
WASHER,GEAR SHI
- (26) 08331-31146
CIRCLIP
- (27) 25520-16G20
ARM,GEAR SHIFT
- (28) 25526-47000
>> COVER,DUST
- (29) 25525-05A10
ROD,GEAR SHIFT
- (30) 25600-40F10
LEVER ASSY,GEAR
- (31) 25526-47000
>> COVER,DUST
- (32) 25652-20C00
>> RUBBER,GEAR SHI
- (33) 09140-06025
NUT
- (34) 01500-06253
BOLT
- (35) 08310-00067
NUT
- (36) 37730-35F10
BASE ASSY,GEAR
- (37) 09209-05011
K S PAWL ROLLER
- (38) 09280-26007
O RING
- (39) 09404-06429
CLAMP (L:45)
- (40) 09440-04010
K S PAWL SPRING
- (41) 09106-05023
BOLT



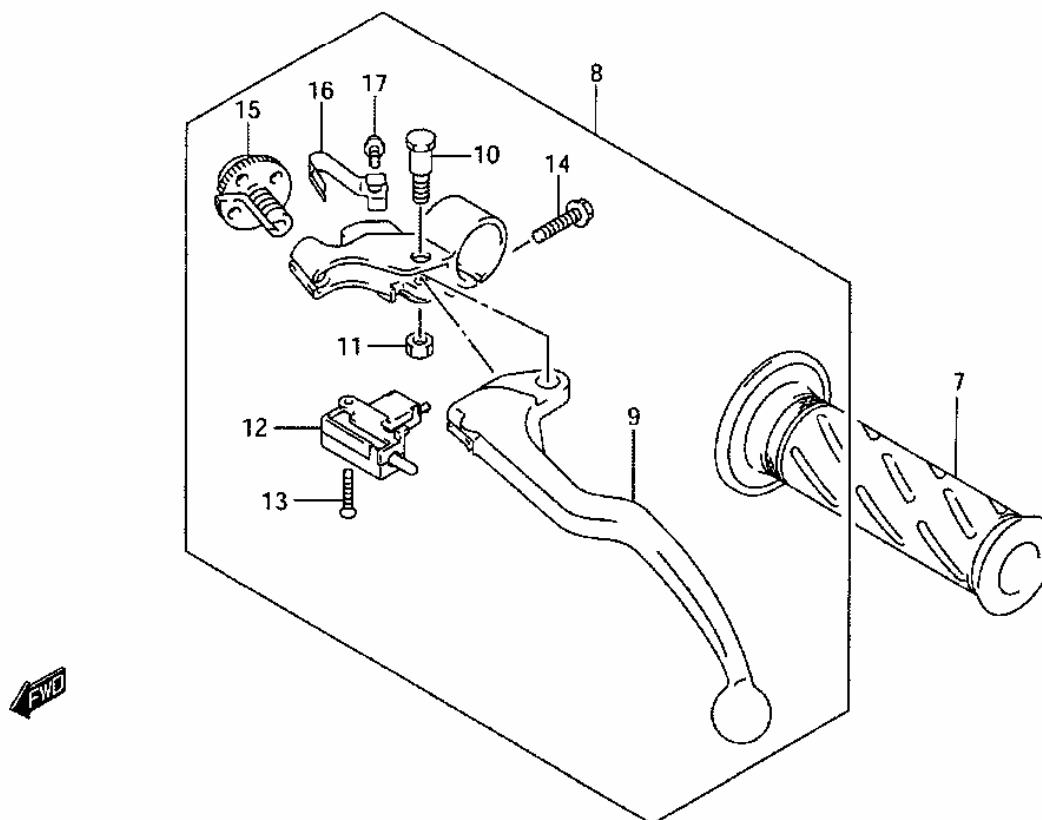
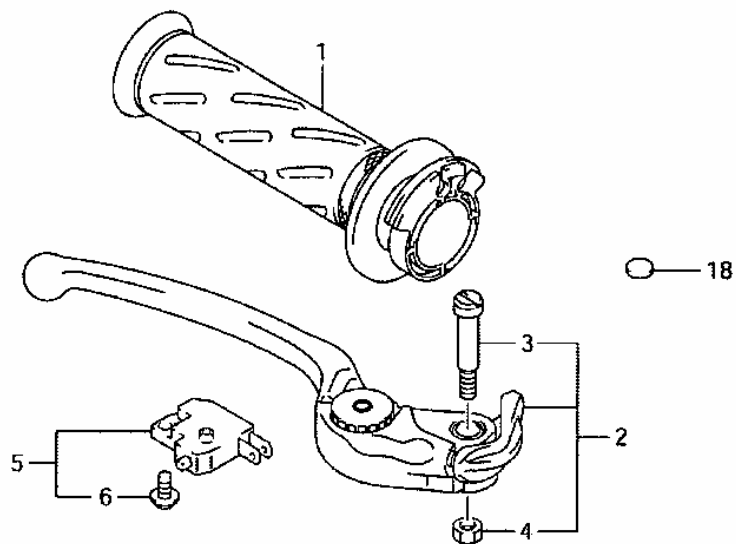
GENERATOR

- (1) **31402-29G00**
ROTOR ASSY
- (2) **31401-29G00**
STATOR ASSY
- (3) **32371-33E00**
CLAMP, MAGNETO L
- (4) **09103-12005**
BOLT
- (5) **07130-06123**
BOLT
- (6) **07130-06353**
BOLT



HANDLE LEVER

- (1) **57110-29G00**
GRIP COMP, THROT
- (2) **57300-29G00**
LEVER ASSY, BRA
- (3) **57431-29G00**
>> BOLT, LEVER PIVO
- (4) **57433-09F00**
>> NUT, LEVER PIVOT
- (5) **57460-17C11**
SWITCH ASSY, STO
- (6) **57465-17C00**
>> SCREW
- (7) **57211-22D01**
GRIP, L
- (8) **57500-40F00**
LEVER ASSY, CLUT
- (9) **57621-40F00**
>> LEVER, CLUTCH
- (10) **57431-45C01**
>> BOLT, LEVER PIVO
- (11) **08319-21063**
>> NUT
- (12) **57560-05A00**
>> SWITCH ASSY, CLU
- (13) **02122-03208**
>> SCREW
- (14) **01547-06203**
>> BOLT6X20
- (15) **57641-33E20**
>> NUT, CABLE ADJUS
- (16) **57644-33E00**
>> SPRING, ADJUST
- (17) **57642-33E00**
>> SCREW, SPRING
- (18) **57542-29G00**
RUBBER, MASTER C



HANDLE SWITCH

- (1-1) **37200-29G30**
SWITCH ASSY,HAN

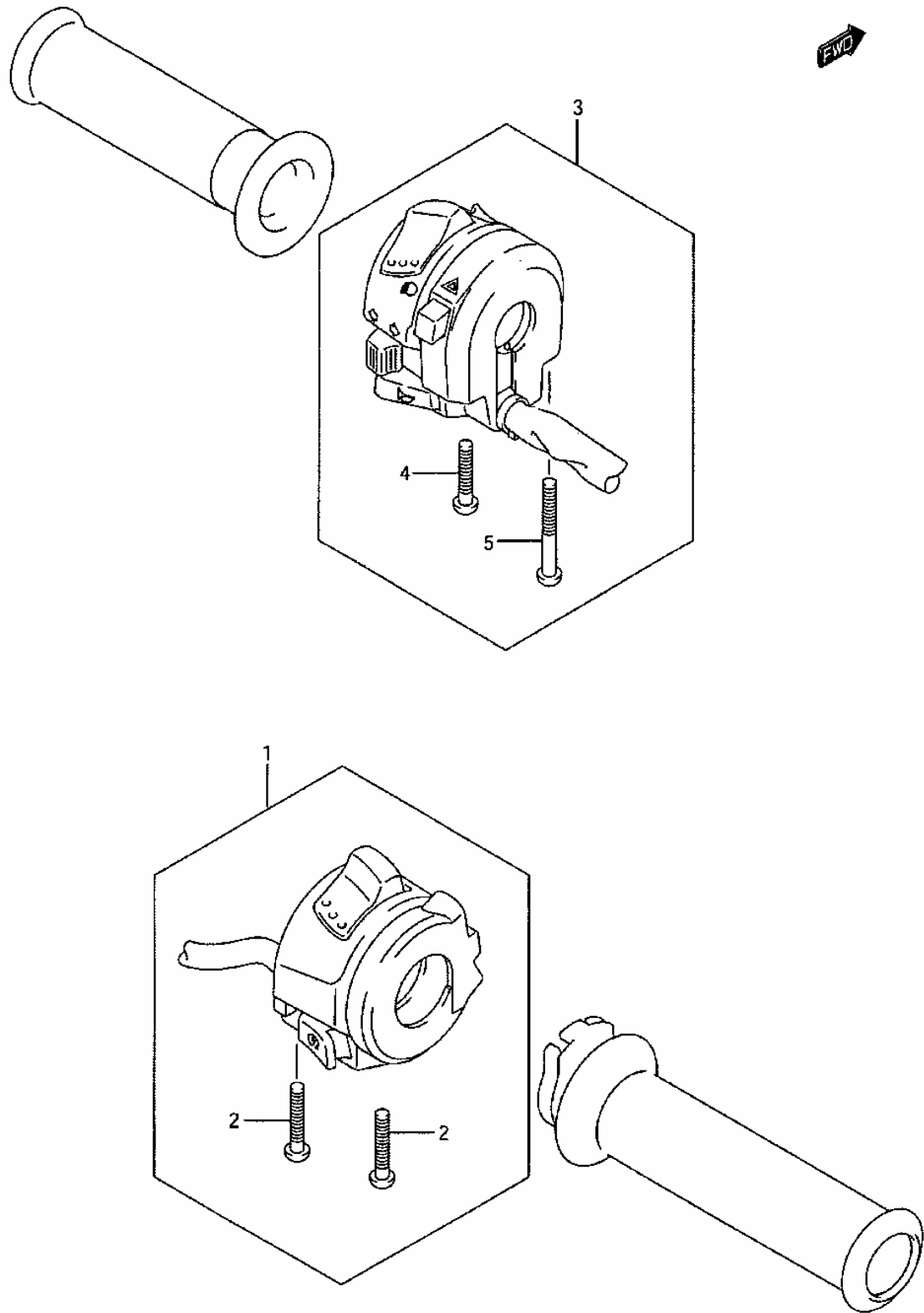
- (1-2) **37200-29G80**
SWITCH ASSY, HANDLE RH

- (2) **02112-05303**
>> SCREW

- (3) **37400-29G10**
SWITCH ASSY,HAN

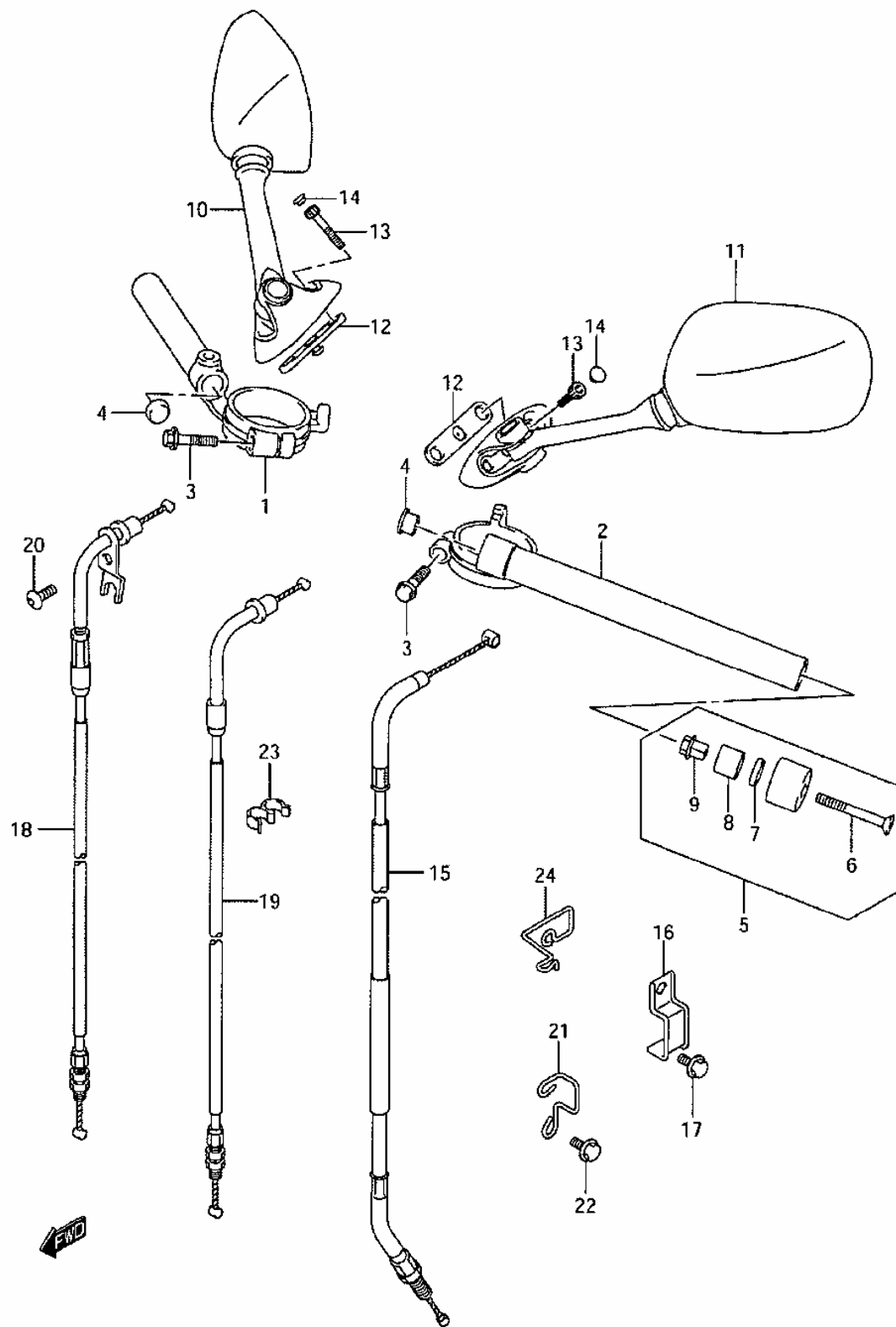
- (4) **02112-05253**
>> SCREW

- (5) **02112-05403**
>> SCREW



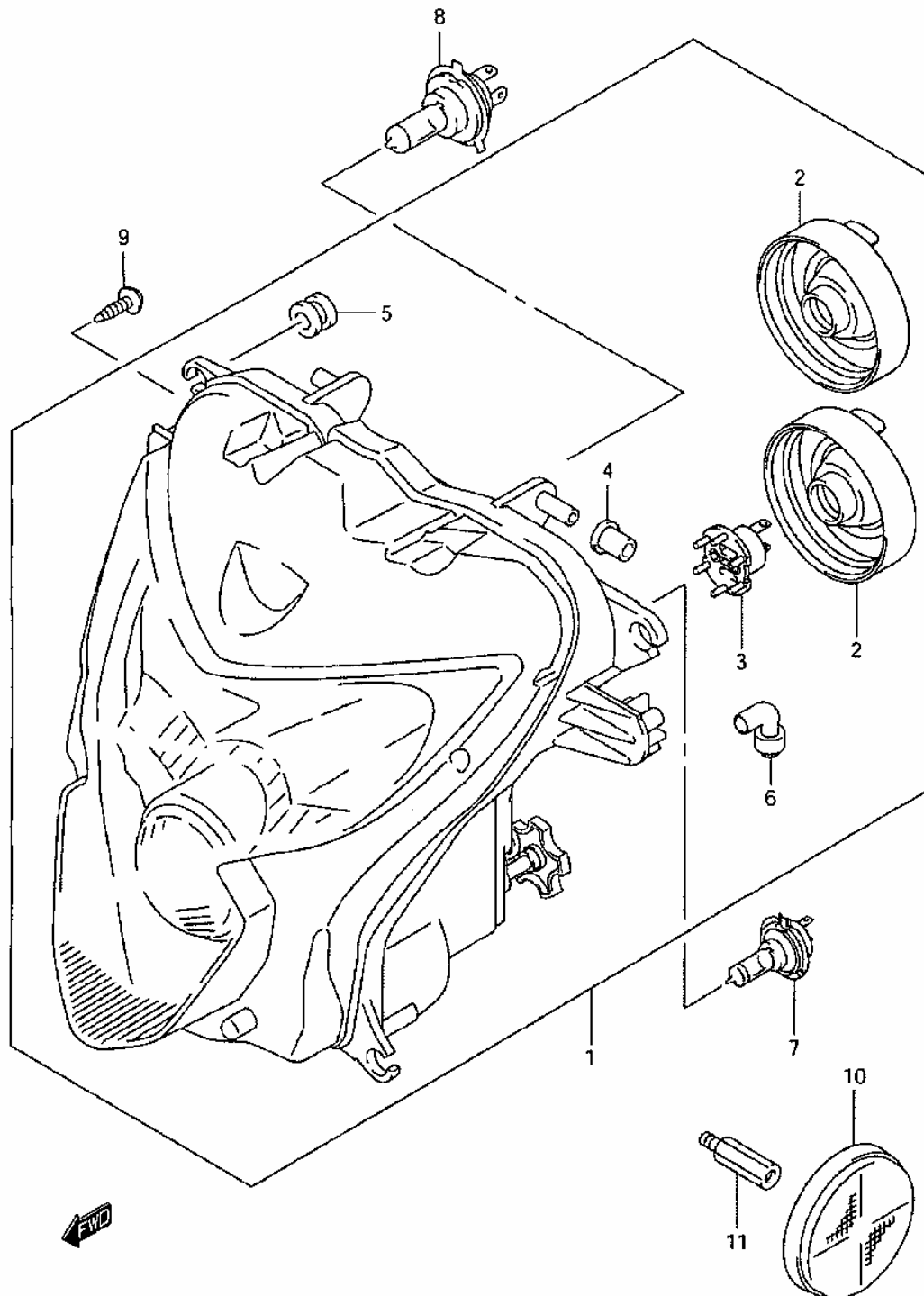
HANDLEBAR

- (1) **56111-29G00**
HANDLE BAR, R
- (2) **56151-29G00**
HANDLE BAR,L
- (3) **56123-35F00**
BOLT,HANDLEBAR
- (4) **56131-29G00**
CAP,HANDLEBAR
- (5) **56200-14830**
BALANCER SET,L
- (6) **02122-06503**
>> SCREW
- (7) **09160-06131**
>> WASHER,6.5X16X4
- (8) **56272-10G00**
>> EXPANDER,HANDLE
- (9) **56273-10G00**
>> NUT,HANDLE BALA
- (10) **56500-29G00**
MIRROR ASSY,REA
- (11) **56600-29G00**
MIRROR ASSY,REA
- (12) **94576-24F00**
CUSHION,REAR VI
- (13) **07130-06303**
BOLT
- (14) **09250-05009**
CAP
- (15) **58200-29G00**
CABLE ASSY,CLUT
- (16) **58621-06G00**
GUIDE,THROTTLE
- (17) **01550-06123**
BOLT
- (18) **58300-29G00**
CABLE ASSY,THRO
- (19) **58300-29G10**
CABLE ASSY,THRO
- (20-1) **09139-05079**
SCREW,THROTTLE
- (20-2) **02142-05083**
SCREW 5X8
- (21) **58621-29G00**
GUIDE,THROTTLE
- (22) **01550-06123**
BOLT
- (23) **09408-00033**
CLAMP
- (24) **58631-29G00**
GUIDE,THROTTLE



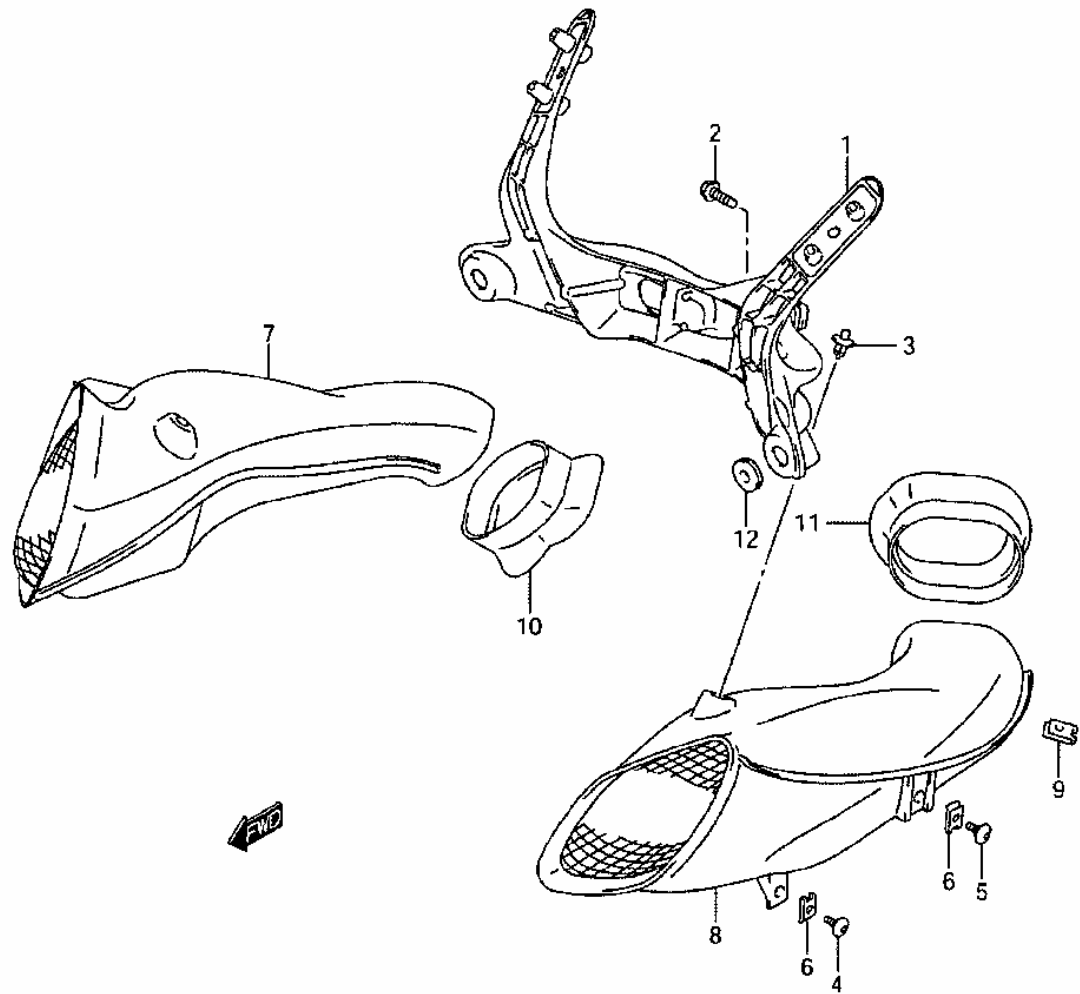
HEADLAMP

- (1) **35100-29G30-999**
HEADLAMP ASSY
- (2) **35179-64G00**
>> SOCKET,COVER
- (3) **35175-33E50**
>> ADAPTER ASSY
- (4) **09320-07010**
>> CUSHION
- (5) **09320-09039**
>> CUSHION
- (6) **35165-33E00**
>> CORD ASSY
- (7) **09471-12188**
BULB (12V, 55W)
- (8) **09471-12182**
BULB(12V60/55W,
- (9) **09136-05062**
SCREW
- (10) **35950-14A00**
REFLECTOR,REFLE
- (11) **09119-06104**
BOLT,FRONT SIDE



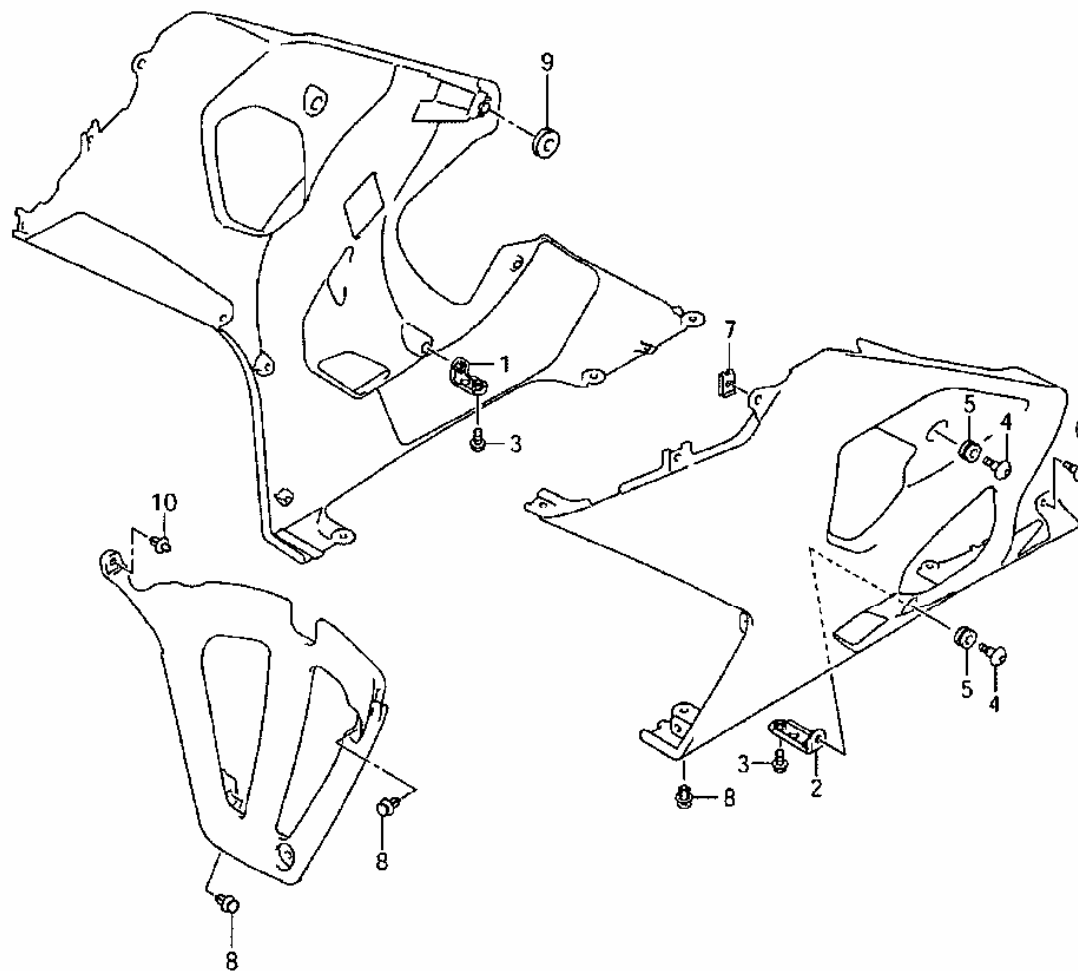
INSTALLATION PARTS

- (1) **94511-29G01**
BRACE,COWLING
- (2) **01550-08253**
BOLT M8X2552
- (3) **09409-08308-5ES**
CLIP(BLACK)
- (4) **09139-05064**
SCREW,5X13
- (5) **09139-05077**
SCREW,BODY COWL
- (6) **94484-24F00**
NUT,COWL
- (7) **94402-29G00**
PIP ASSY,AIR IN
- (8) **94403-29G00**
PIPE ASSY,AIR I
- (9) **94484-24F00**
NUT,COWL
- (10) **94423-29G00**
MOLDING,AIR INT
- (11) **94433-29G00**
MOLDING,AIR INT
- (12) **09320-08028**
CUSHION



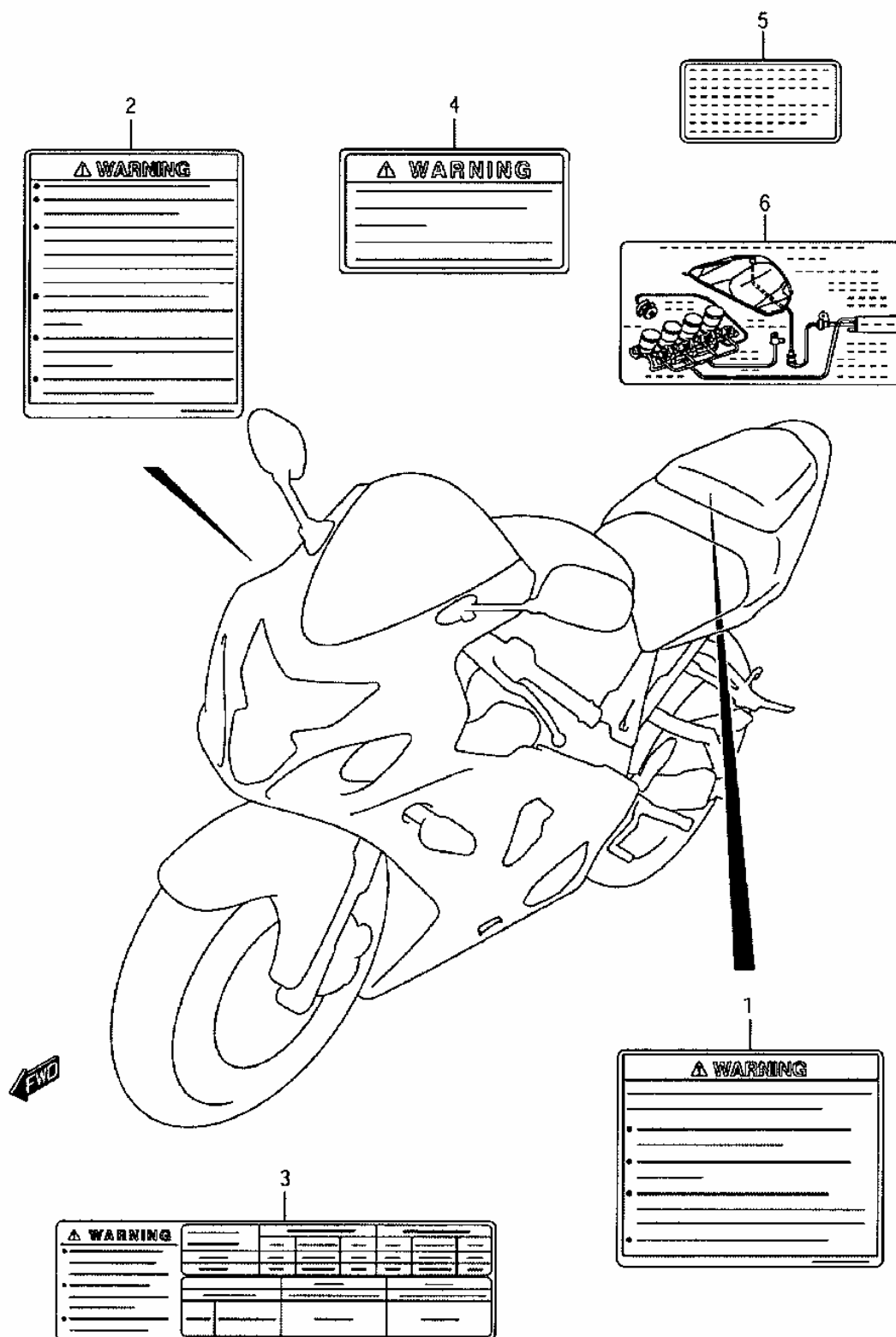
INSTALLATION PARTS 1

- (1) **94533-33E01**
BRACKET,UNDER C
- (2) **94534-33E01**
BRACKET,UNDER C
- (3) **01550-06123**
BOLT
- (4) **09139-06126**
SCREW
- (5) **09320-09016**
CUSHION
- (6) **09139-05064**
SCREW,5X13
- (7) **94484-24F00**
NUT,COWL
- (8) **94479-35F00**
CLIP
- (9) **09320-08028**
CUSHION
- (10) **09409-06314-5PK**
CLIP(BLACK)



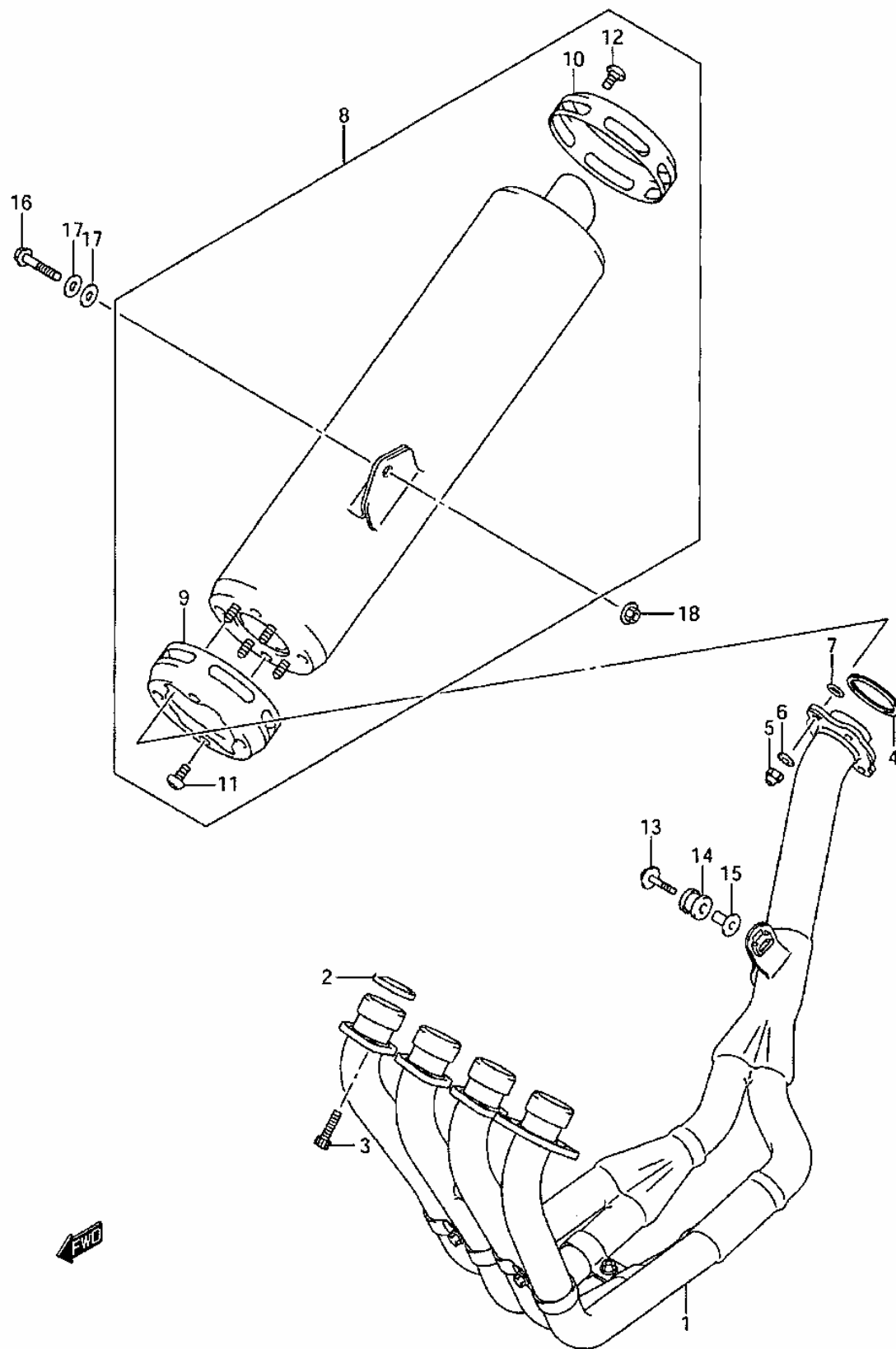
LABEL

- (1-1) **68319-29F00**
LABEL,GENERAL W
- (1-2) **68319-29F10**
LABEL, WARNING
- (2-1) **68922-29F00**
LABEL,SCREEN
- (2-2) **68922-29F30**
LABEL, SCREEN (FRENCH)
- (3-1) **68332-30G10**
LABEL,TIRE INFO
- (3-2) **68332-30G20**
LABEL, TIRE INFORMATION
- (4-1) **68613-18E00**
LABEL,WARNING S
- (4-2) **68613-24F00**
LABEL, WARNING STEERING
- (5) **68353-26E02**
LABEL,MANUAL NO
- (6) **68387-29G00**
LABEL,VACUUM HO
- (7-1) **99011-30G50-03A**
GSXR750K4 OWN M
- (7-2) **99011-30G50-01A**
MANUAL, OWNER'S (ENGLISH)
- (7-3) **99011-30G50-01F**
MANUAL, OWNER'S (FRENCH)
- (7-4) **99011-30G51-03A**
MANUAL, OWNER'S (ENGLISH)
- (7-5) **99011-30G51-01A**
MANUAL, OWNER'S (ENGLISH)
- (7-6) **99011-30G51-01F**
MANUAL, OWNER'S (FRENCH)



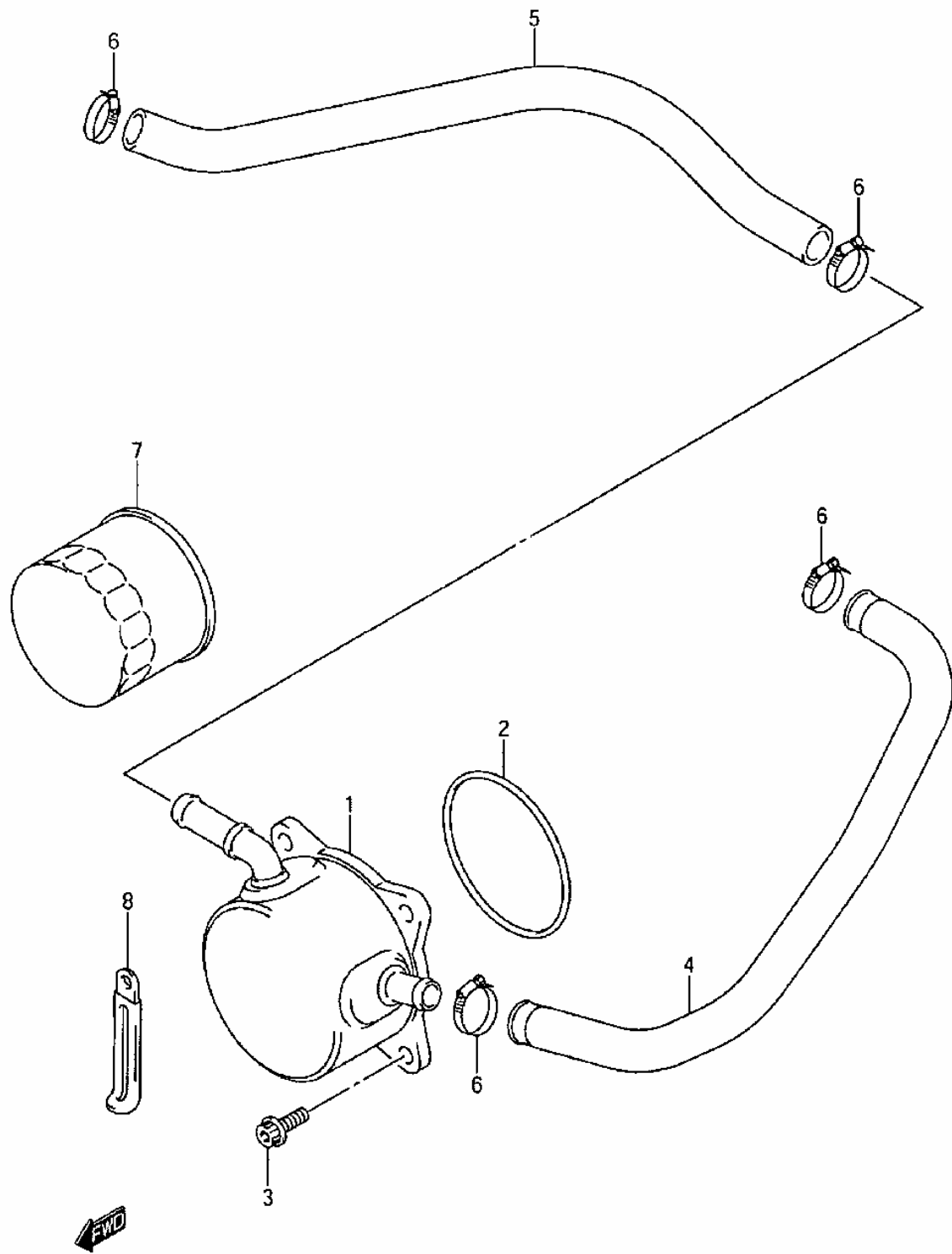
MUFFLER

- (1) **14100-30G00**
EXHAUST COMP
- (2) **14181-46E00**
GASKET,EXHAUST
- (3) **07130-08253**
BOLT
- (4) **14181-02F00**
GASKET,MUF JOIN
- (5) **09159-08116**
NUT
- (6) **09160-08059**
WASHER
- (7) **09280-08012**
O RING D:1.9 ID
- (8) **14310-30G10-H01**
BODY COMP,MUFFL
- (9) **14771-29G01**
>> COVER,MUFFLER F
- (10) **14781-29G01**
>> COVER,MUFFLER R
- (11) **14315-29G01**
>> SCREW,MUFFLER C
- (12) **09139-06078**
>> (CA)SCREW
- (13) **09118-08152**
BOLT,M8X45
- (14) **09320-12048**
CUSHION
- (15) **09180-08152**
SPACER,8.6X12X2
- (16) **09103-08392**
BOLT,MUFF SPRT
- (17) **09160-08081**
WASHER
- (18) **08361-25088**
NUT



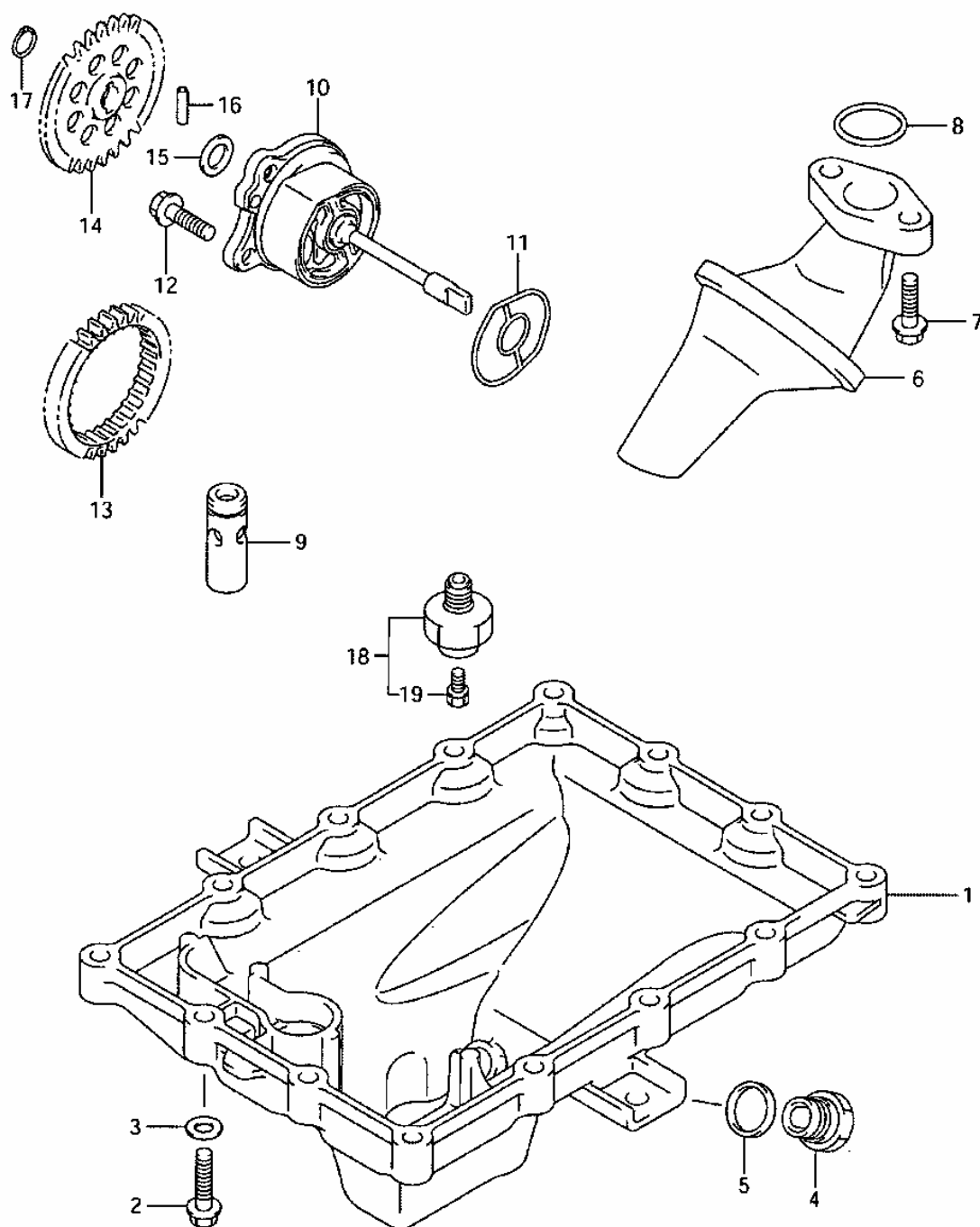
OIL COOLER

- (1) **16600-29G00**
COOLER ASSY,OIL
- (2) **09280-64003**
O RING
- (3) **09106-06099**
BOLT,OIL COOLER
- (4) **16461-35F00**
HOSE,OIL COOLER
- (5) **16471-30G00**
HOSE,OIL COOLER
- (6) **09402-22511**
CLAMP
- (7) **16510-03G00-X07**
FILTER ASSY,ENG
- (8) **09404-06433**
Discontinued



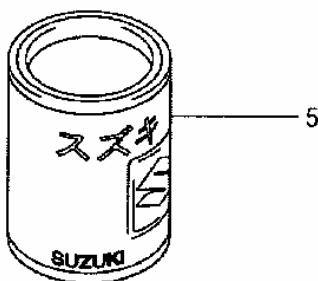
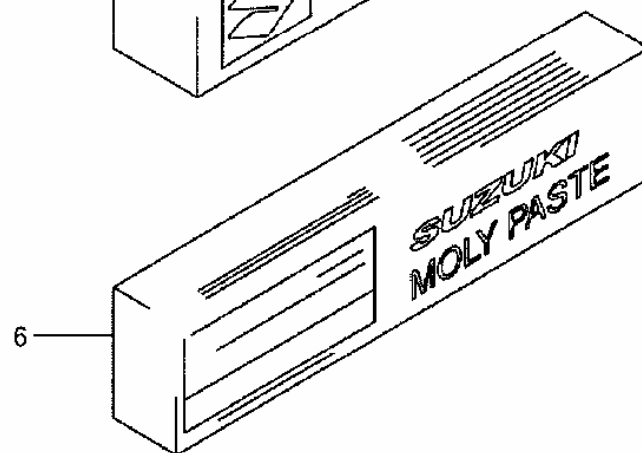
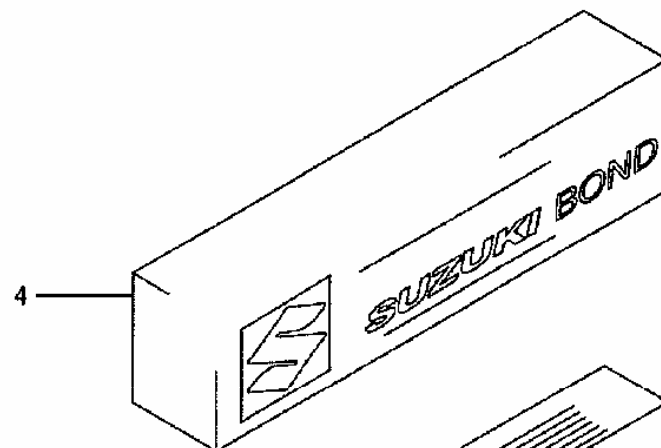
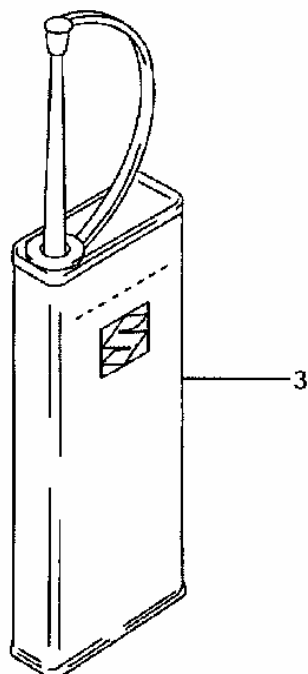
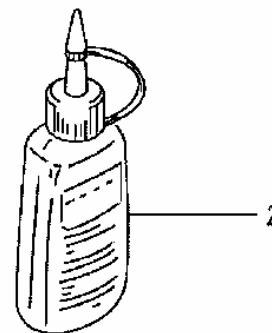
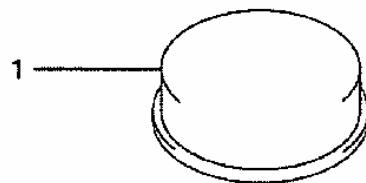
OIL PAN – OIL PUMP

- (1) **11511-29G00**
PAN,OIL
- (2) **01547-06253**
BOLT
- (3) **09168-06023**
GASKET
- (4) **09247-14036**
PLUG,OIL DRAIN
- (5) **09168-14002**
Discontinued
- (6) **16520-29G00**
STRAINER ASSY,E
- (7) **01550-06203**
BOLT
- (8) **09280-19008**
O-RING,ID:20,3,
- (9) **16440-24F00**
VALVE ASSY,OIL
- (10) **16400-35F00**
PUMP ASSY,ENG O
- (11) **16491-35F00**
O-RING,OIL PUMP
- (12) **01547-06203**
BOLT6X20
- (13) **16321-35F01**
GEAR,OIL PUMP D
- (14) **16331-35F00**
GEAR,OIL PUMP D
- (15) **09181-10158**
SHIM,10X18X0.5
- (16) **09261-04009**
GR SHIFT CAM DR
- (17) **08331-31106**
CIRCLIP
- (18) **37820-33D10**
SWITCH ASSY,OIL
- (19) **37822-33D00**
>> BOLT,OIL PRESSU



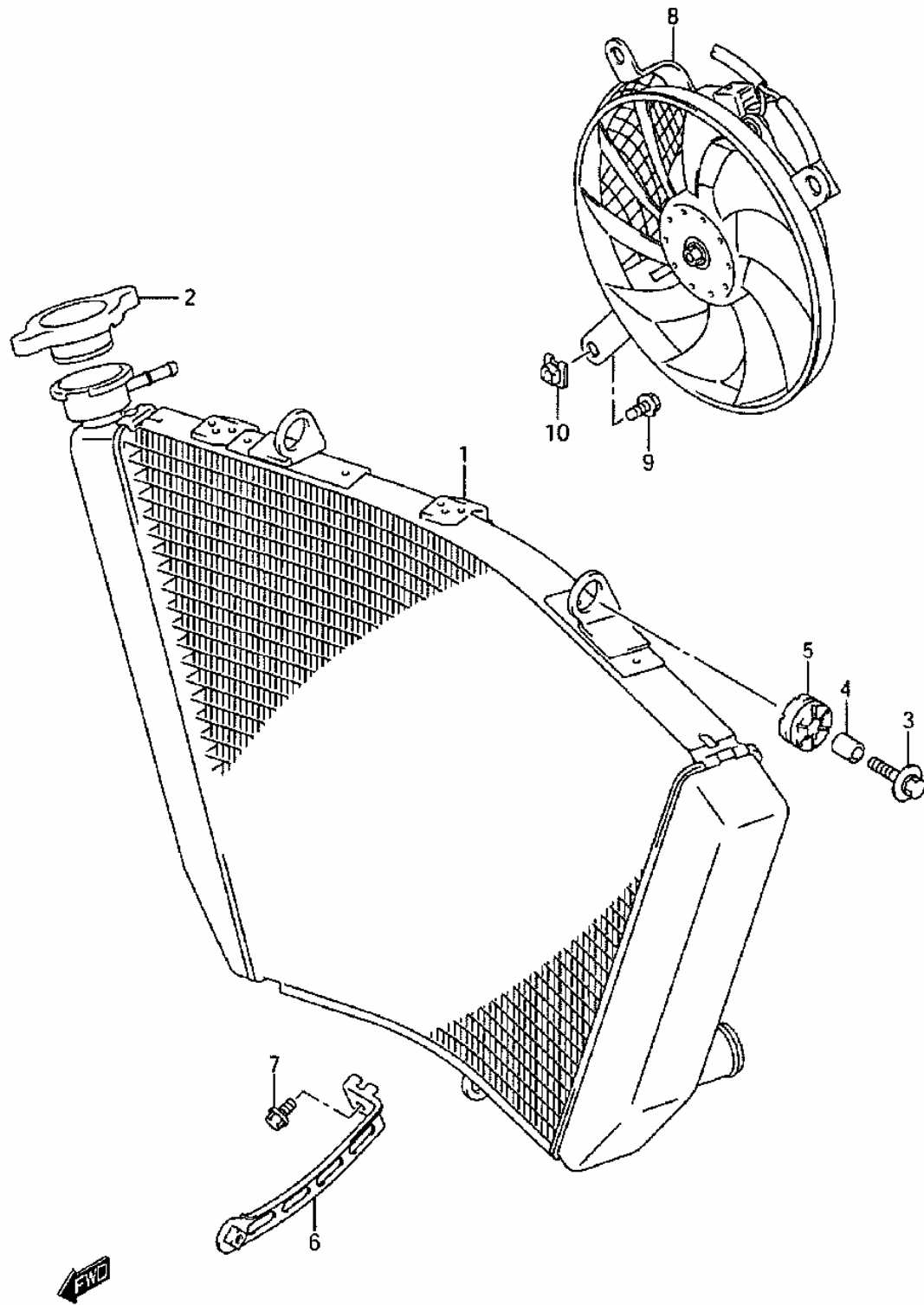
OPTIONAL

- (1) **99000-25110**
BRAKE PAD GREAS
- (2-1) **99104-32020**
Discontinued
- (2-2) **99104-32030**
Discontinued
- (2-3) **99000-32050**
1342 THREADLOCK
- (2-4) **99000-32100**
DISCONTINUED
- (2-5) **99000-32130**
1360 THREADLOCK
- (3) **99000-32040**
1401 THREADLOCK
- (4) **99000-31140**
DISCONTINUED
- (5) **99000-25030**
SUZUKI SUPER GR
- (6) **99000-25140**
MOLY PASTE



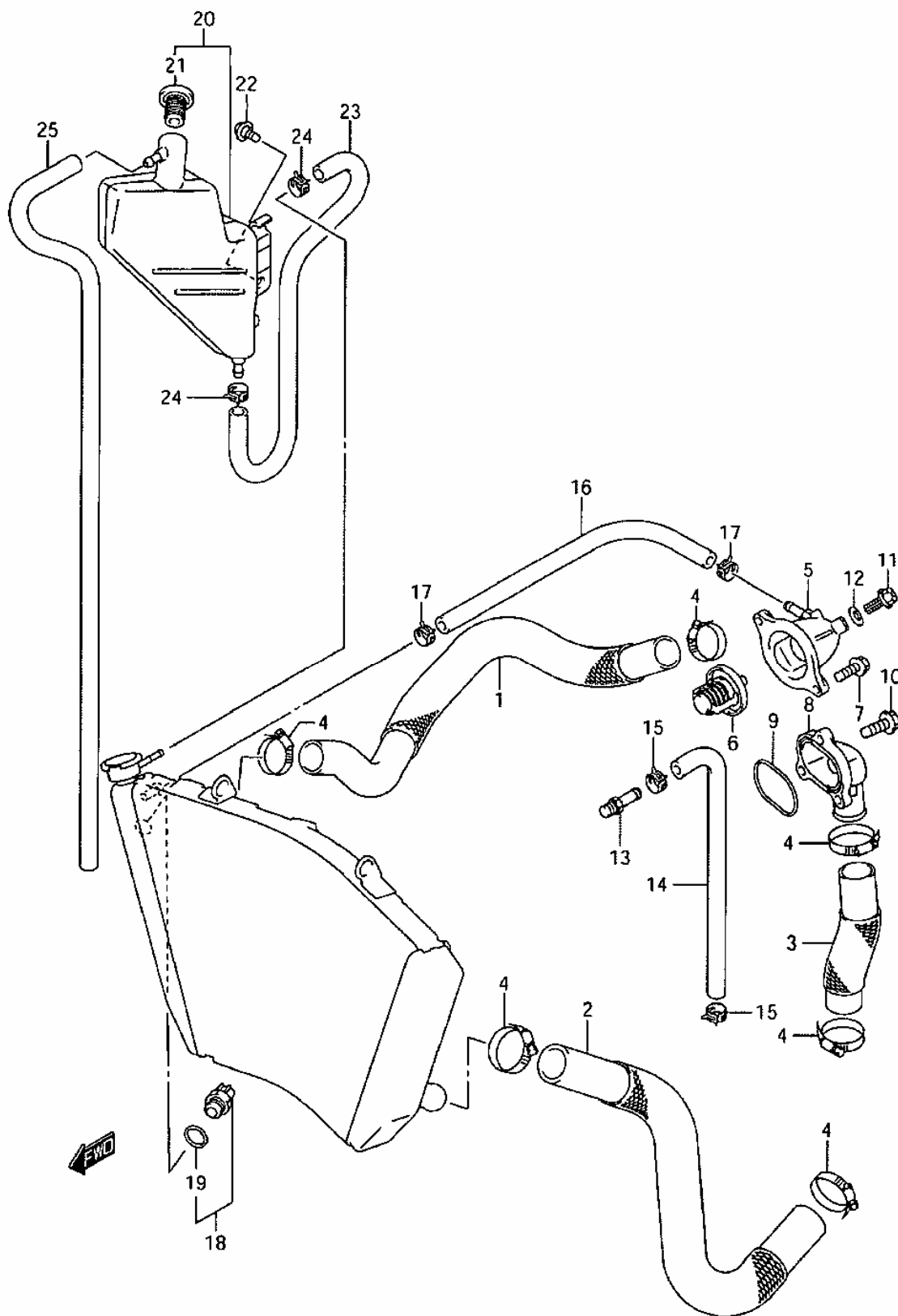
RADIATOR

- (1) **17710-30G00**
RADIATOR ASSY,W
- (2) **17730-14G00**
CAP,RADIATOR(1.
- (3) **09118-06097**
BOLT,6X25
- (4) **09180-06290**
SPACER,6.5X10X1
- (5) **09320-10051**
CUSHION,RADIATO
- (6) **17750-30G00**
BRACKET COMP,RA
- (7) **01550-06123**
BOLT
- (8) **17800-30G00**
FAN ASSY,RADIAT
- (9) **17711-14G00**
BOLT,FAN ASSY
- (10) **17802-14F00**
NUT



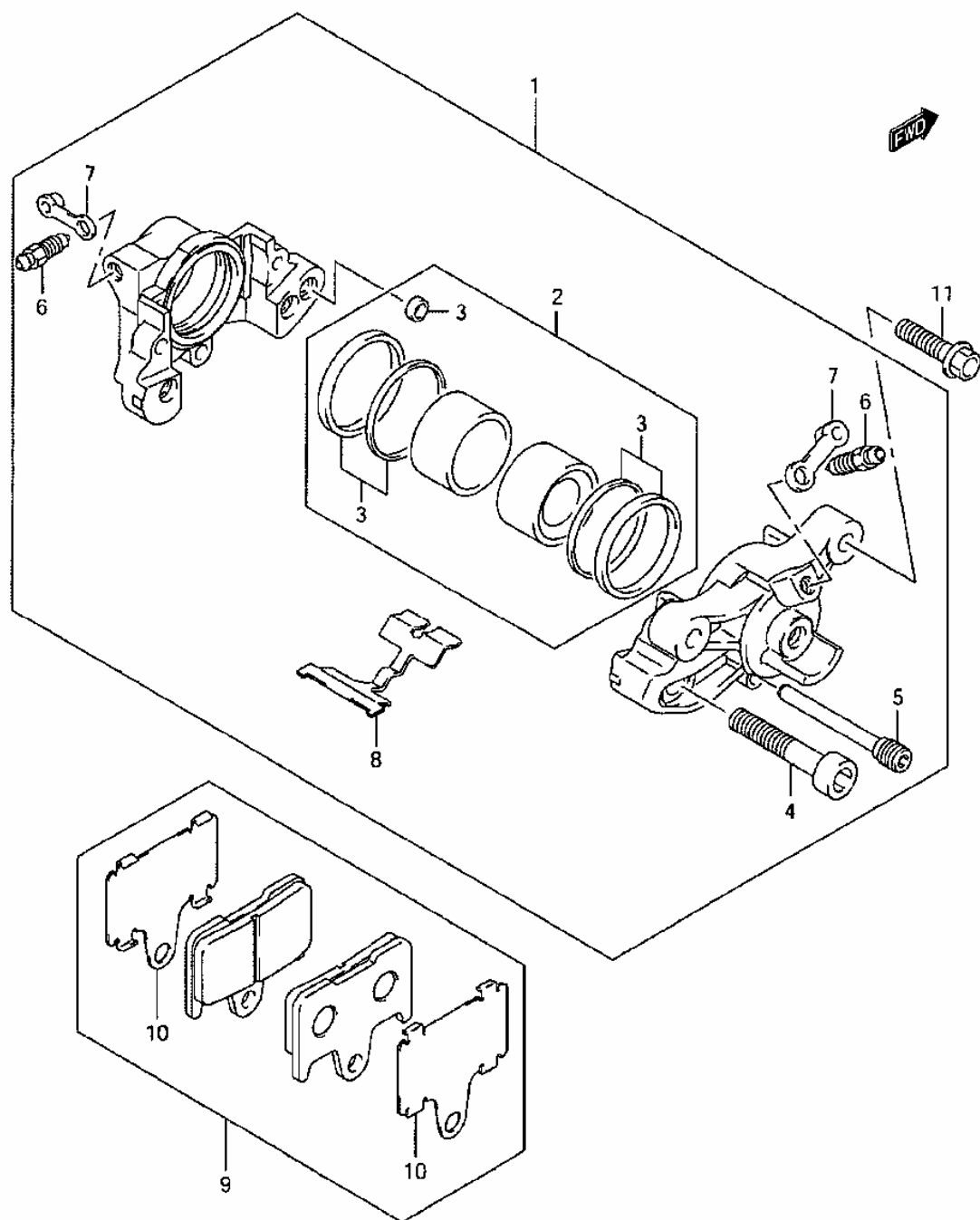
RADIATOR HOSE

- (1) **17851-30G00**
HOSE,RADIATOR I
- (2) **17852-30G00**
HOSE,RADIATOR O
- (3) **17853-35F10**
HOSE,CYLINDER I
- (4) **09402-38511**
CLAMP
- (5) **17661-35F00**
COVER,THERMOSTA
- (6) **17670-76G10**
THERMOSTAT COMP
- (7) **01547-06203**
BOLT6X20
- (8) **17861-33E10**
CONNECTOR,CYL W
- (9) **17863-33E00**
O-RING,CYL WATE
- (10) **01547-06203**
BOLT6X20
- (11) **17568-50F00**
UNION,AIR VENT
- (12) **09168-06026**
GASKET
- (13) **09362-09011**
UNION WATER BYP
- (14) **17854-40F00**
HOSE,WATER BYPA
- (15) **09401-12409**
CLAMP
- (16) **09352-50111-600**
HOSE
- (17) **09401-10409**
(CA) CLIP
- (18) **17680-33E00**
SWITCH COMP,RAD
- (19) **17689-50F00**
>> O RING
- (20) **17910-30G00**
TANK ASSY,RESER
- (21) **17931-02FA0**
>> CAP,RESERVOIR T
- (22) **09111-06085**
BOLT
- (23) **17981-18G00**
HOSE,RESERVOIR
- (24) **09401-08411**
CLIP
- (25) **17982-18G00**
HOSE,RESERVOIR



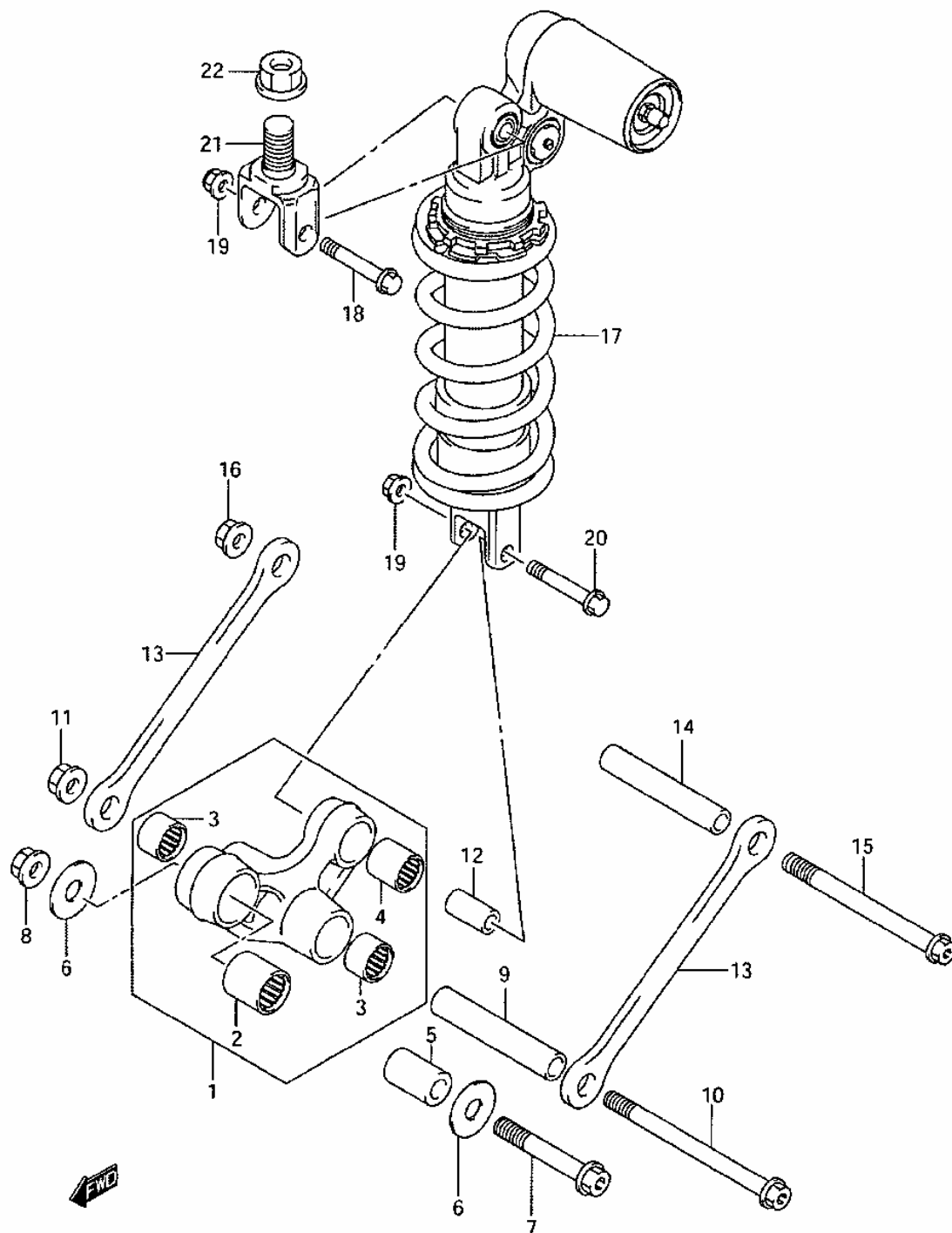
REAR CALIPER

- (1) **69100-18G00-999**
CALIPER ASSY, R
- (2) **69100-40811**
>> PISTON SET
- (3) **69100-14880**
>>> SEAL SET, PISTON
- (4) **69145-40F00**
>> BOLT, HOUSING
- (5) **69141-40F00**
>> PIN, PAD
- (6) **59121-01A00**
>> BLEEDER
- (7) **59122-01A00**
>> CAP BLEEDER
- (8) **69315-18G00**
>> SPRING, PAD
- (9) **69100-40840**
PAD & SHIM SET
- (10) **69171-40F00**
>> SHIM, PAD
- (11) **09103-08359**
BOLT, FRONT CALI



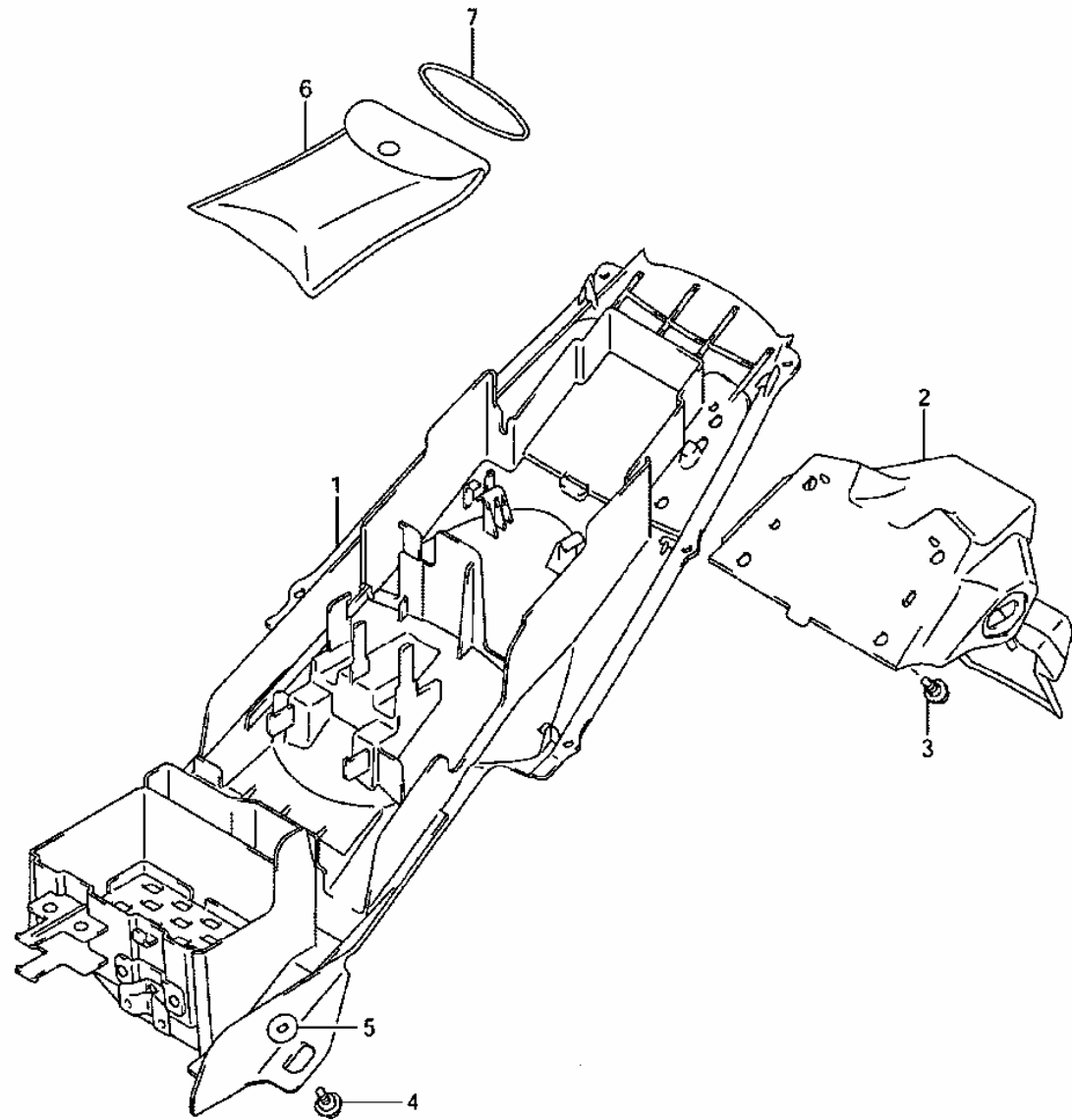
REAR CUSHION LEVER

- | | |
|--------|---|
| (1) | 62600-35820
LEVER SET, REAR |
| (2) | 09263-20073
>> RN 20X27X30BRG2 |
| (3) | 09263-17039
>> RN 17X24X20 BRG |
| (4) | 09263-17034
>> RN 17X24X26 BRG |
| (5) | 62684-12C00
SPACER, RR CUSHI |
| (6) | 09160-12037
WASHER PRY DRIV |
| (7) | 62658-35F00
BOLT, RR CUSHION |
| (8) | 09159-12056
NUT, REARCUSHION |
| (9) | 62626-33D00
SPACER, REAR CUS |
| (10) | 62621-35F00
BOLT, RR CUSHION |
| (11) | 09159-12056
NUT, REARCUSHION |
| (12) | 62684-40A10
SPACER, RR CUSHI |
| (13) | 62641-35F00
ROD, REAR CUSHIO |
| (14) | 62626-33D00
SPACER, REAR CUS |
| (15) | 62621-35F00
BOLT, RR CUSHION |
| (16) | 09159-12056
NUT, REARCUSHION |
| (17-1) | 62100-30G10-163
ABSORBER ASSY, R |
| (17-2) | 62100-30G00-163
ABSORBER ASSY, REAR SHOCK |
| (18) | 09103-10143
BOLT 10X55 |
| (19) | 09159-10058
NUT |
| (20) | 09103-10143
BOLT 10X55 |
| (21) | 62993-35F00
BRACKET, RR SHK |
| (22) | 09159-20006
NUT |



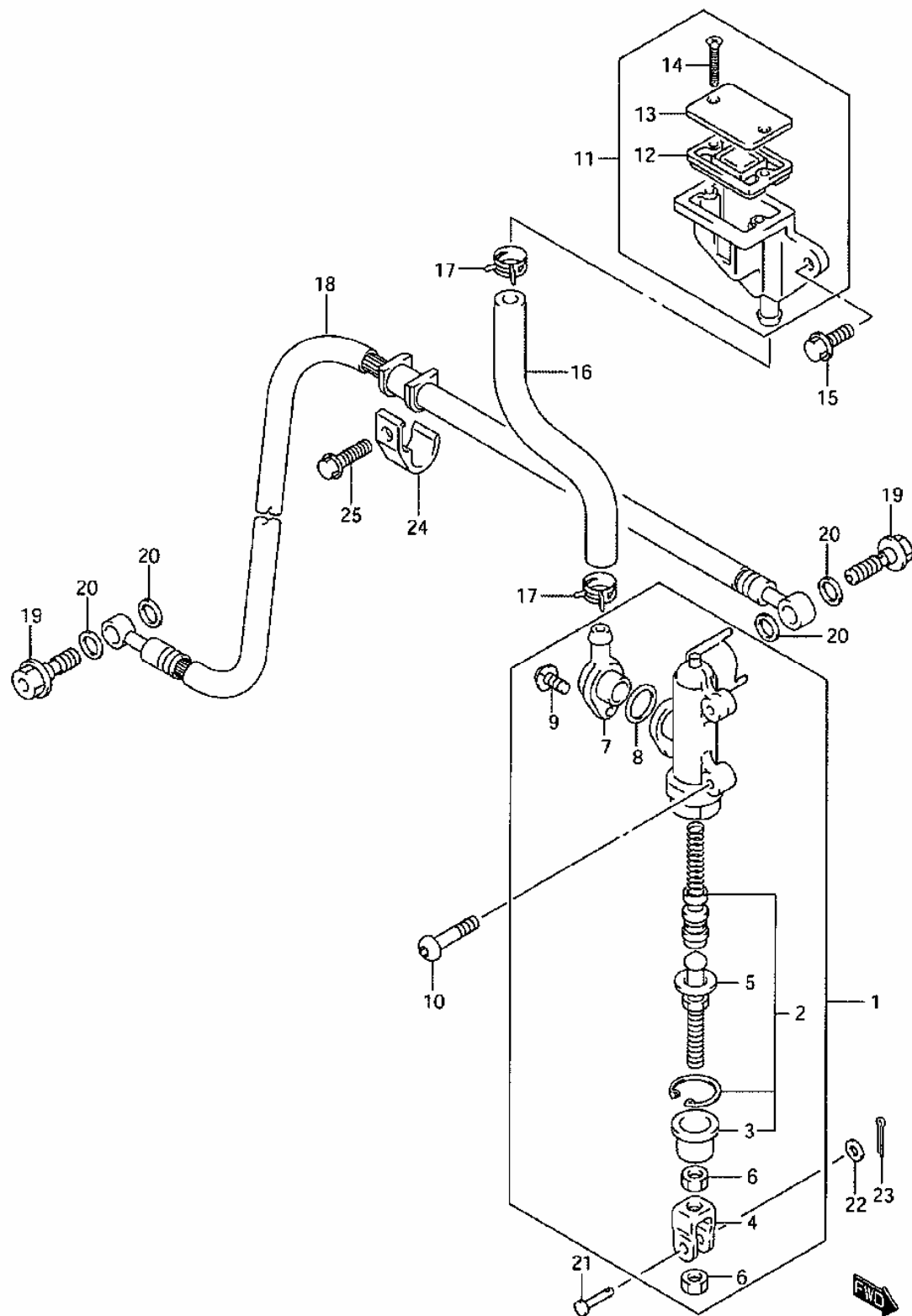
REAR FENDER

- (1) [63111-29G10-291](#)
FENDER,REAR FRO
- (2) [63112-29G10-291](#)
FENDER,REAR REA
- (3) [09139-06137](#)
BOLT,REAR FENDE
- (4) [09111-06081](#)
BOLT
- (5) [08322-01063](#)
WASHER
- (6) [09800-21039](#)
TOOL ASSY
- (7) [09280-61002](#)
O RING



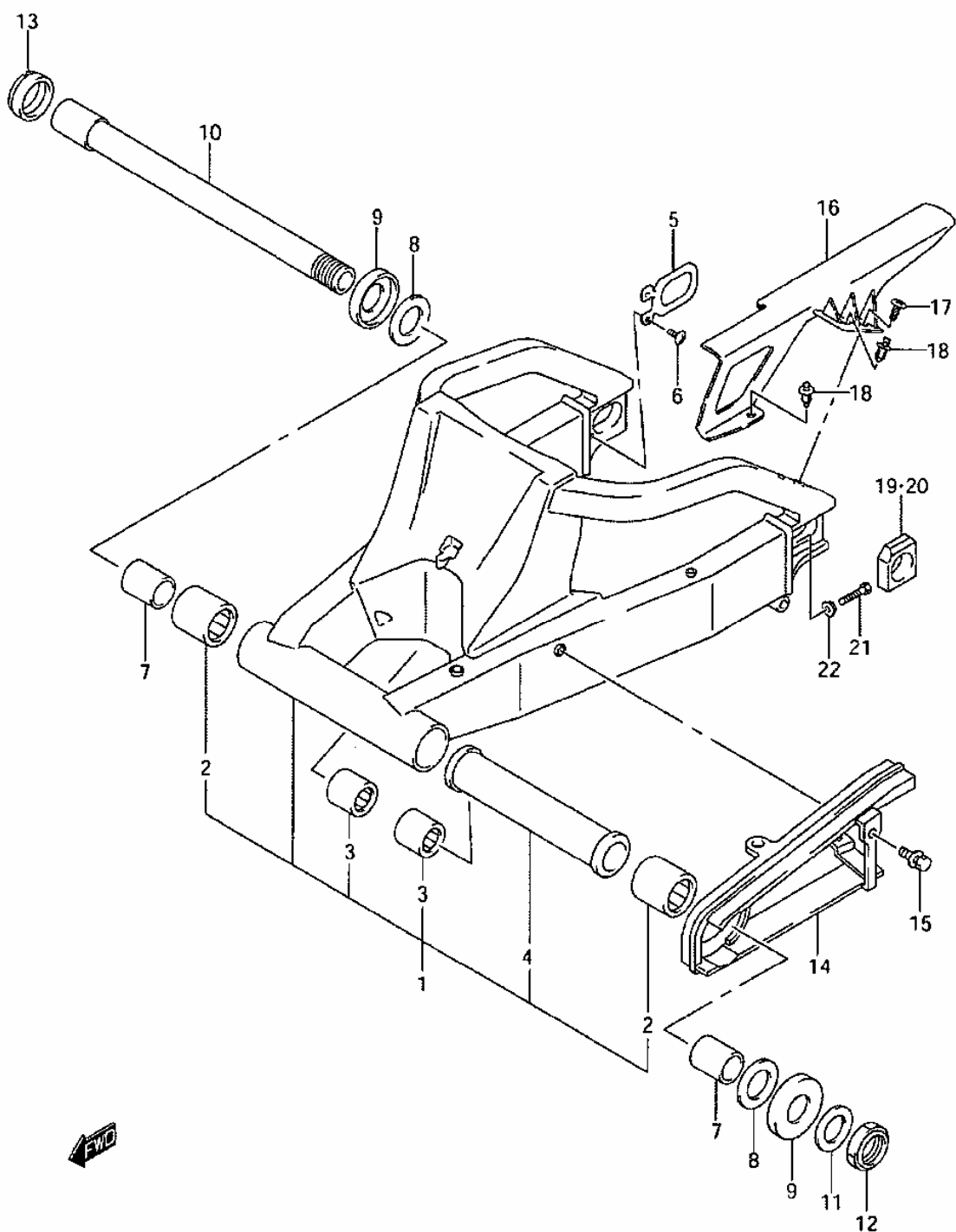
REAR MASTER CYLINDER

- (1) **69600-16G00**
CYLINDER ASSY,R
- (2) **69600-34820**
>> PISTON/CUP SET
- (3) **69691-00A00**
>>> BOOT
- (4) **69692-27A30**
>> YOKE
- (5) **69670-48B00**
>> ROD,PUSH
- (6) **69693-05A00**
>> NUT
- (7) **69672-05A00**
>> CONNECTOR
- (8) **69686-34200**
>> O RING CONNECTO
- (9) **02112-74123**
>> SCREW
- (10) **09139-06125**
SCREW
- (11) **69740-01D02**
TANK ASSY,REAR
- (12) **59667-04700**
>> DIAPHRAGM,MASTE
- (13) **59669-05D00**
>> CAP,MASTER CYLI
- (14) **69689-04A00**
>> SCREW
- (15) **09103-06222**
BOLT,RESERVOIR
- (16) **69731-29G00**
HOSE,RR RESERVO
- (17) **09401-13417**
CLIP
- (18) **69480-29G00**
HOSE,REAR BRAKE
- (19) **09360-10042**
BOLT
- (20) **09161-10009**
WASHER
- (21) **09200-06037**
PIN
- (22) **08322-01063**
WASHER
- (23) **04111-20158**
20 X 15 COTTER
- (24) **69268-29G00**
CLAMP,RR BRAKE
- (25) **09103-06223**
BOLT,CLUTCH COV



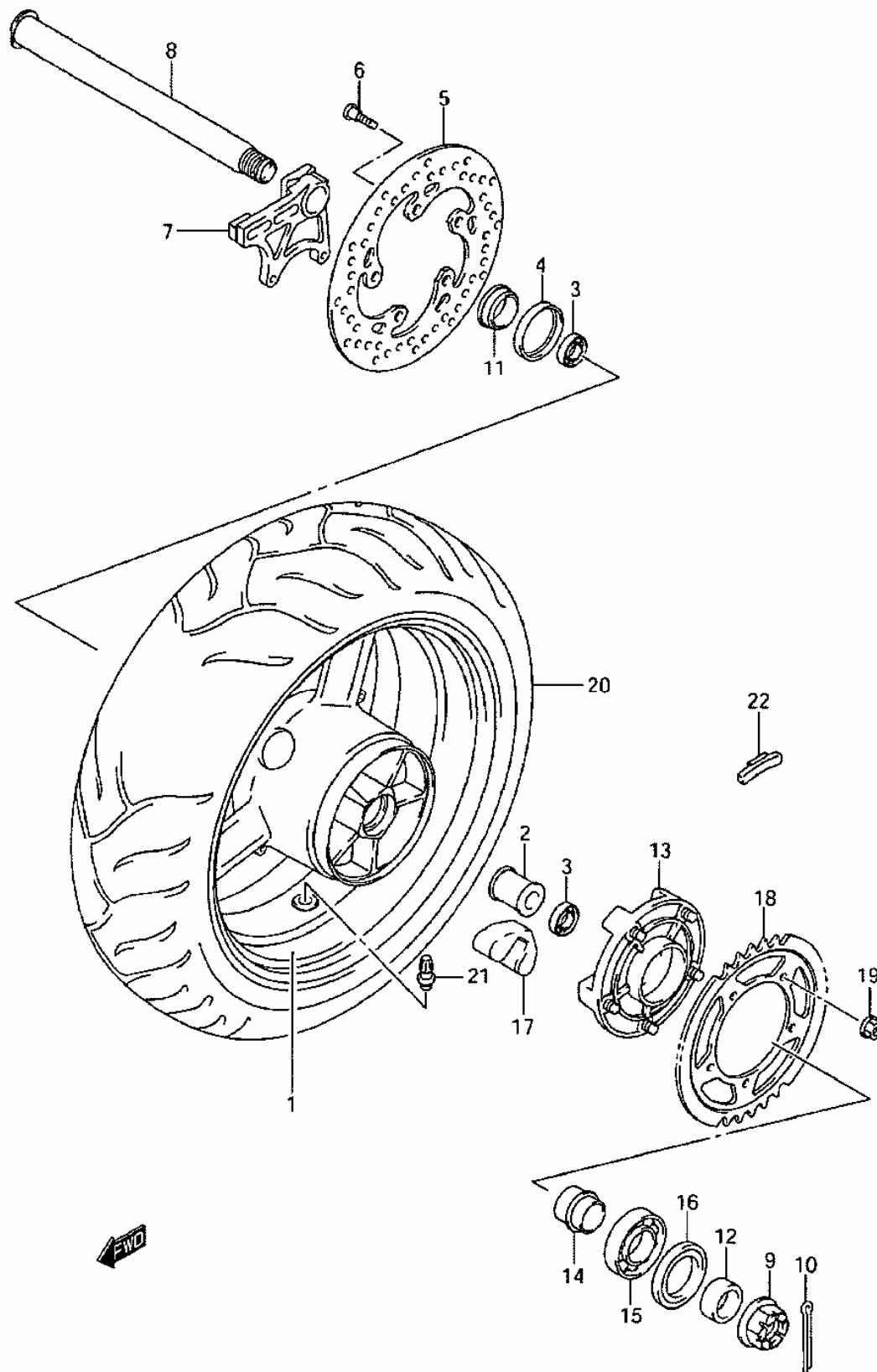
REAR SWINGING ARM

- (1) **61000-30G00**
SWINGINGARM ASS
- (2) **09263-30040**
>> RN 30X40X25 BRG
- (3) **09263-17039**
>> RN 17X24X20 BRG
- (4) **61281-33E20**
>> SPACER,RR SWGAR
- (5) **61124-33E00**
PLATE,REAR SWIN
- (6) **09125-06073**
SCREW 6X16
- (7) **61251-17E10**
SPACER,RR SWGAR
- (8) **08211-25481**
WASHER,THRUST
- (9) **61262-17E10**
DUST SEAL,RR SW
- (10) **61211-16G00**
SHAFT,RR SWGARM
- (11) **09160-25070**
WASHER,25.2X42X
- (12) **09159-25001**
NUT
- (13) **61214-40C31**
NUT,RR SWGARM P
- (14) **61273-29G00**
BUFFER,CHAIN TO
- (15) **09111-06072**
BOLT
- (16) **61311-29G00**
CASE,CHAIN
- (17) **09139-06083**
SCREW
- (18) **09409-08308-5ES**
CLIP(BLACK)
- (19) **61445-40F10**
ADJUSTER,CHAIN,
- (20) **61446-40F10**
ADJUSTER,CHAIN,
- (21) **09100-08287**
BOLT
- (22) **08316-10083**
NUT



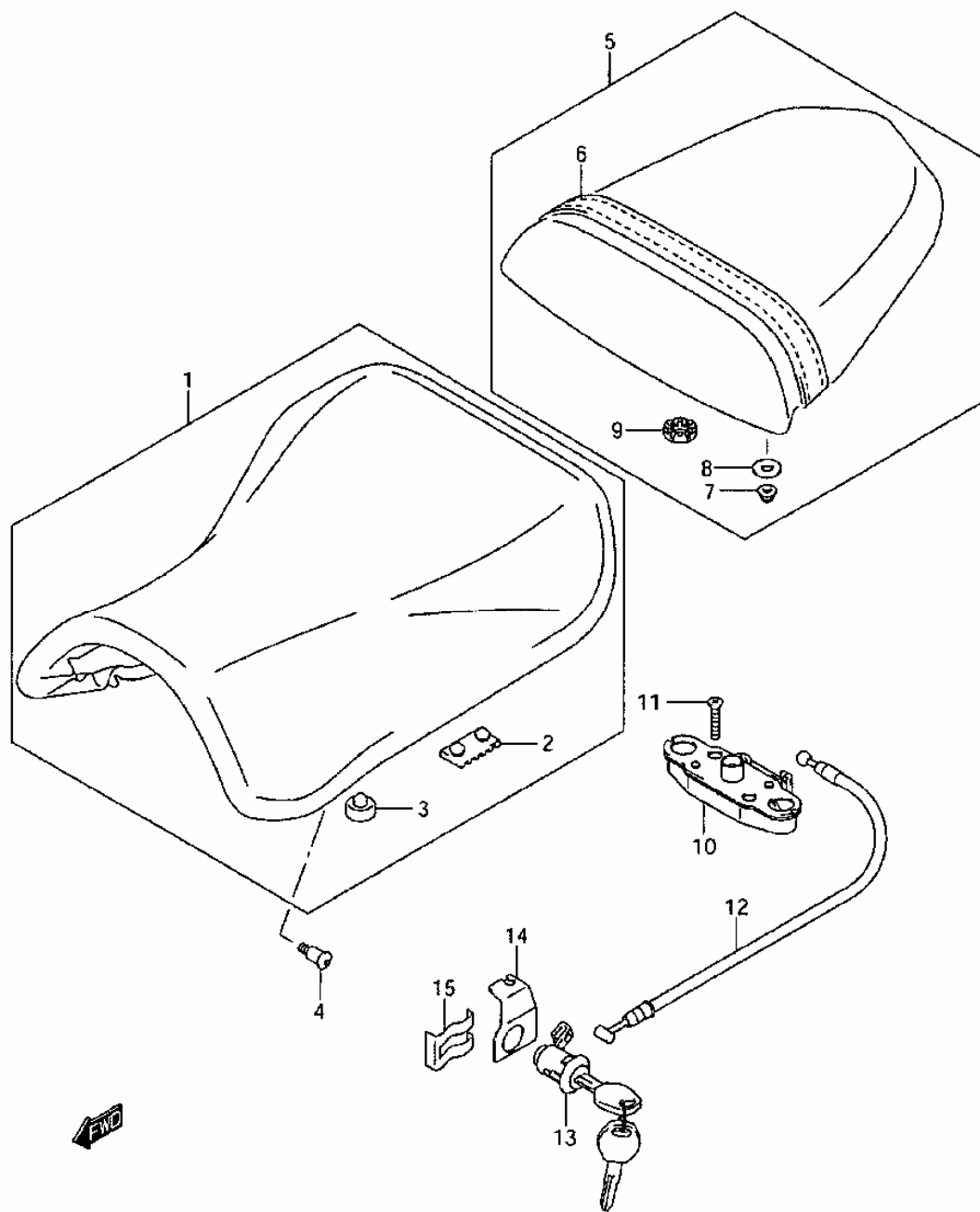
REAR WHEEL

- (1) **64111-35F01-019**
WHEEL,RR,17M/CX
- (2) **64731-35F10**
SPACER,REAR HUB
- (3) **09262-28043**
BEARING,28X52X1
- (4) **09284-37001**
SEAL,REAR WHEEL
- (5) **69211-18G00**
DISC,REAR BRAKE
- (6) **09106-08148**
BOLT,8X33
- (7) **69721-29G00**
BRACKET,REAR CA
- (8) **64711-33E10**
AXLE,REAR
- (9) **09141-25001**
NUT,M:25,H:18.5
- (10) **04111-40408**
40 X 40 COTTER
- (11) **64741-35F00**
SPACER,REAR AXL
- (12) **64751-35F00**
SPACER,REAR AXL
- (13) **64610-35F30**
DRUM,RR SPROCKE
- (14) **64733-35F00**
RETAINER,REAR S
- (15) **09262-32007**
B1 32X65X17 BEA
- (16) **09285-39001**
SEAL,39X65X7
- (17) **64651-35F10**
ABSORBER,REAR H
- (18) **64511-35F50**
SPROCKET,REAR(4
- (19) **08319-31107**
NUT
- (20) **65110-30G10**
TIRE,RR,180/55
- (21) **43130-24A00**
VALVE ASSY
- (22-1) **43222-73H10**
WEIGHT,WHEEL BA
- (22-2) **43224-73H10**
WEIGHT,WHEEL BA
- (22-3) **43226-73H10**
WEIGHT,WHEEL BA



SEAT

- (1) **45100-29G00-6BY**
SEAT ASSY
- (2) **45149-12C00**
>> CUSHION, SEAT, RE
- (3) **09321-08009**
>> CUSHION
- (4) **09139-06138**
SCREW, SEAT
- (5) **45300-29G00-6BY**
SEAT ASSY, PILLI
- (6) **45180-29G00-6BY**
>> BAND ASSY
- (7) **08319-31063**
>> NUT, LICENSE PLA
- (8) **09160-06088**
>> WASHER 6.5X20X1
- (9) **45213-31300**
>> CUSHION
- (10) **45220-20A01**
BRACKET SEAT SU
- (11) **02122-06303**
SCREW
- (12) **45280-13A01**
CABLE, SEAT LOCK
- (13) **95700-14810**
LOCK SET, SEAT
- (14) **45288-14F00**
GUIDE, SEAT LOCK
- (15) **45289-11F00**
PLATE, SEAT LOCK



SEAT TAIL BOX MODEL K4

(1-1) 45500-30G00-YBD
BOX ASSY, SEAT T

(1-2) 45500-30G00-YEC
BOX ASSY, SEAT T

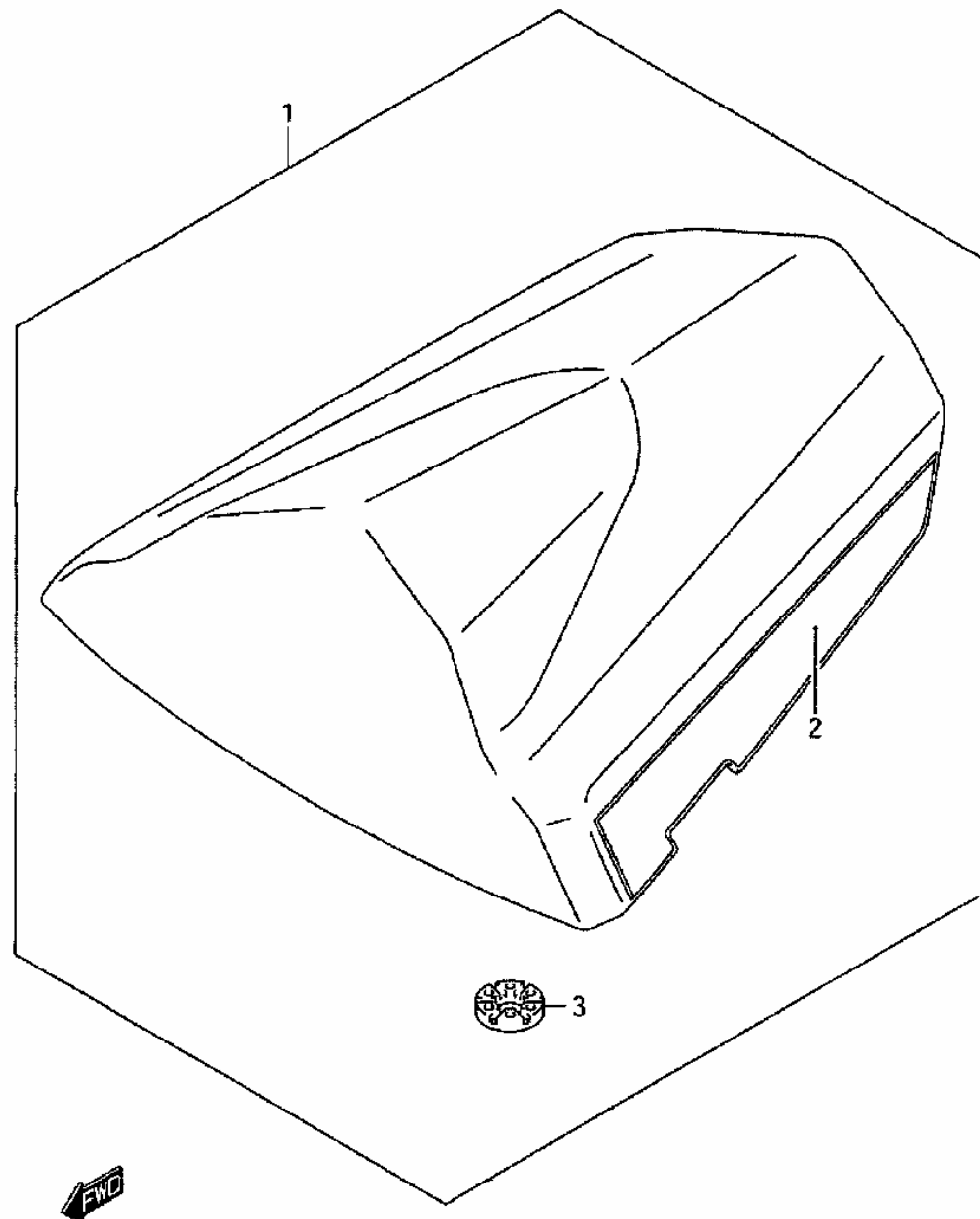
(1-3) 45500-30G00-YU8
BOX ASSY, SEAT TAIL (GRAY)

(2-1) 68160-30G00-LR5
>> TAPE SET, BOX SE

(2-2) 68160-30G00-AGN
>> TAPE SET, BOX SE

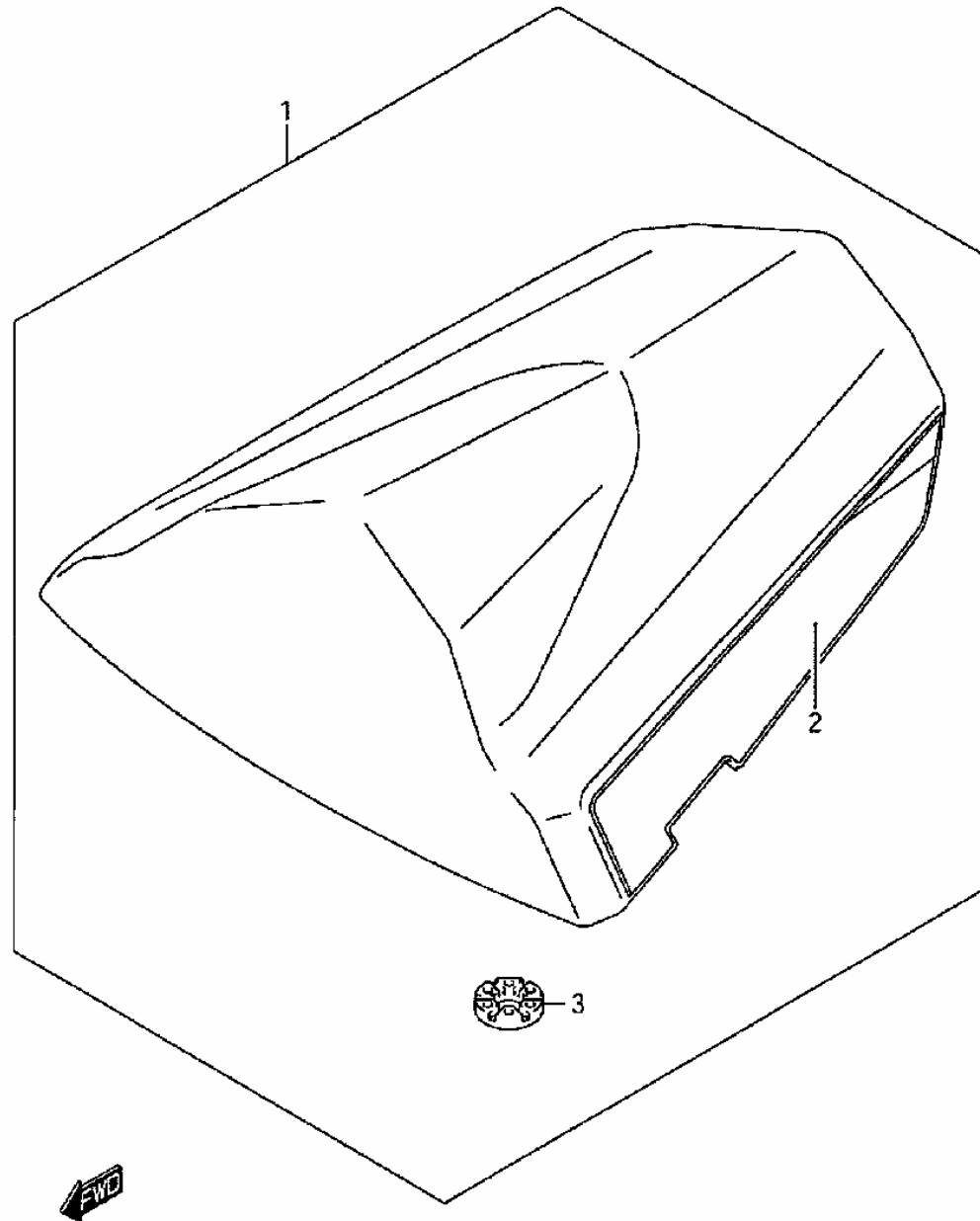
(2-3) 68160-30G00-AGR
>> TAPE SET, BOX SE

(3) 45213-31300
>> CUSHION



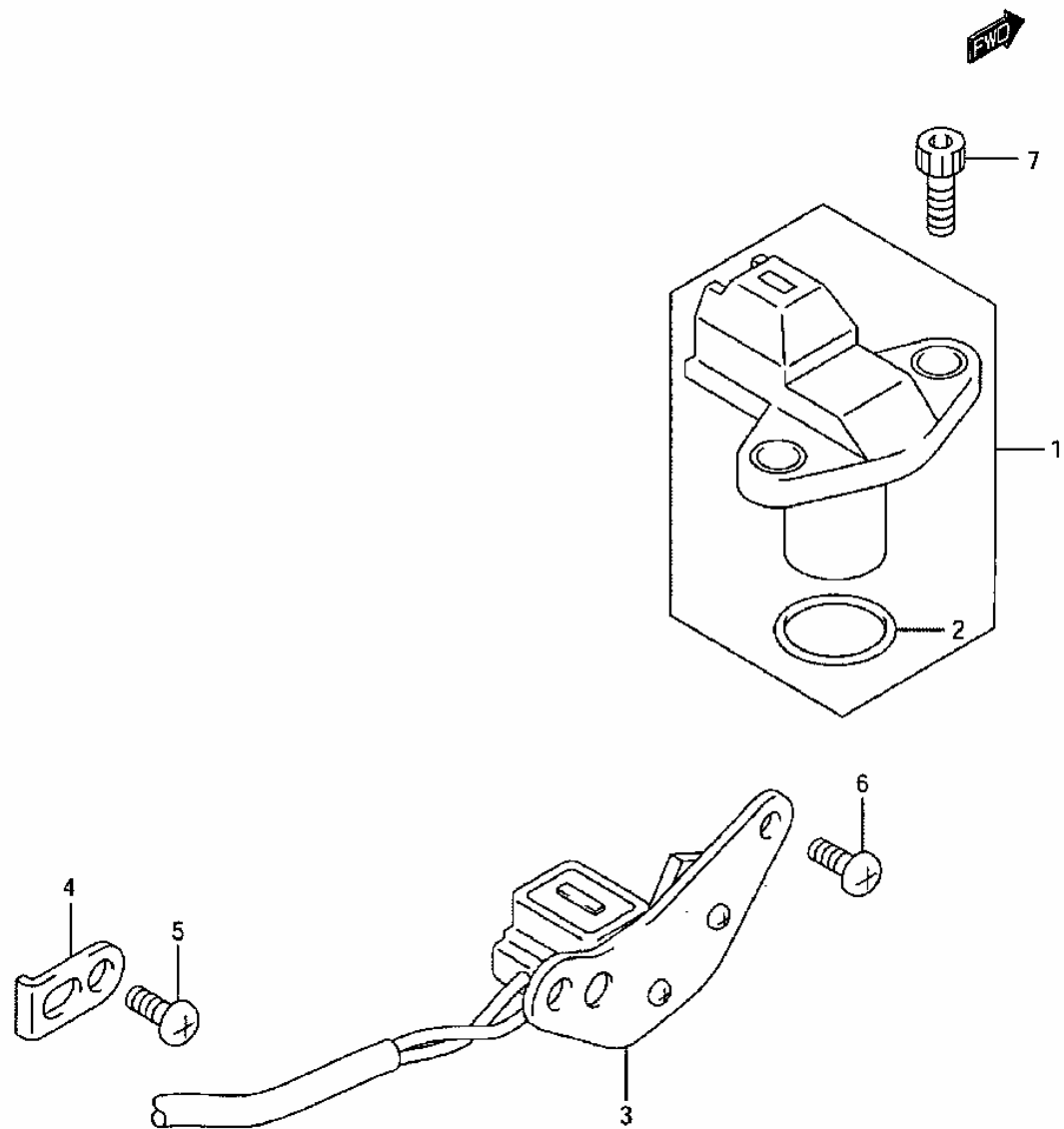
SEAT TAIL BOX MODEL K5

- (1-1) **45500-30G10-YBA**
BOX ASSY, SEAT TAIL (BLUE)
- (1-2) **45500-30G10-YEC**
BOX ASSY, SEAT TAIL (YELLOW)
- (1-3) **45500-30G10-4JX**
BOX ASSY, SEAT TAIL (BLUE)
- (2-1) **68160-30G10-LW6**
>> TAPE SET, BOX SEAT TAIL
- (2-2) **68160-30G10-BRC**
>> TAPE SET, BOX SEAT TAIL
- (2-3) **68160-30G10-BPY**
>> TAPE SET, BOX SEAT TAIL
- (3) **45213-31300**
>> CUSHION



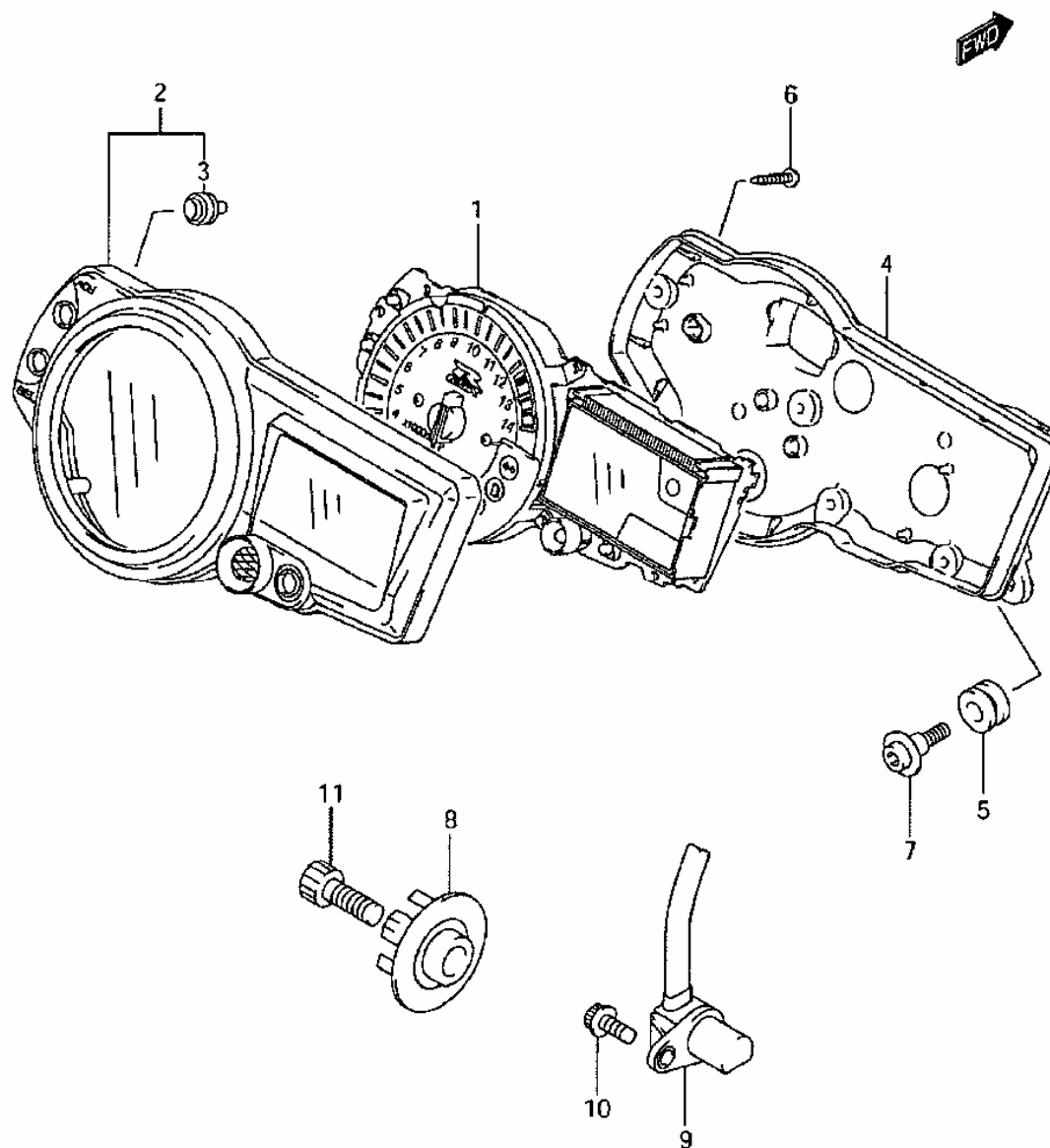
SIGNAL GENERATOR

- (1) **32160-02F10**
SENSOR ASSY,CAM
- (2) **32161-02F00**
>> PACKING
- (3) **33110-35F00**
STATOR SIGNAL G
- (4) **33115-33E00**
CLAMP,SIG GEN
- (5) **02112-05103**
SCREW, 5X10.8X1
- (6) **02112-05103**
SCREW, 5X10.8X1
- (7) **07130-06163**
BOLT



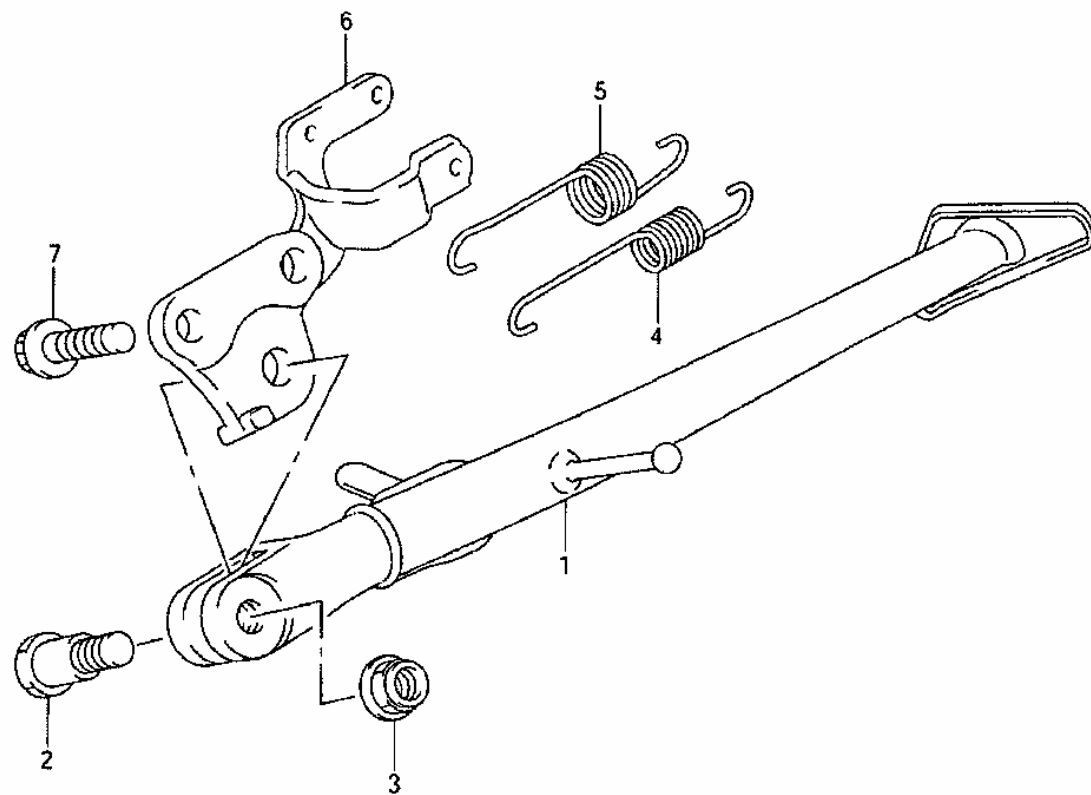
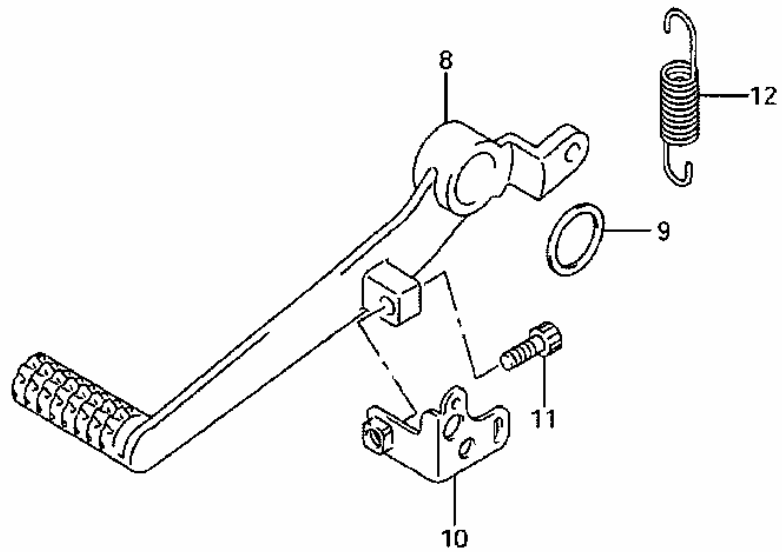
SPEEDOMETER

- (1-1) **34120-30G20**
SPEEDOMETER
- (1-2) **34120-30G00**
SPEED & TACHOMETER ASSY (KILO)
- (2) **34150-18G00**
CASE, SPEEDOMETE
- (3) **34124-24F00**
>> SWITCH, LEVER
- (4) **34111-18G00**
CASE, SPEEDOMETE
- (5) **34955-33E00**
CUSHION, METER
- (6) **34383-35F00**
SCREW
- (7) **34149-18G00**
SCREW, SPEEDOMET
- (8) **34981-35F00**
ROTOR, SPEED
- (9) **34990-35F00**
SENSOR SPEED
- (10) **07120-05123**
BOLT
- (11) **07130-08253**
BOLT



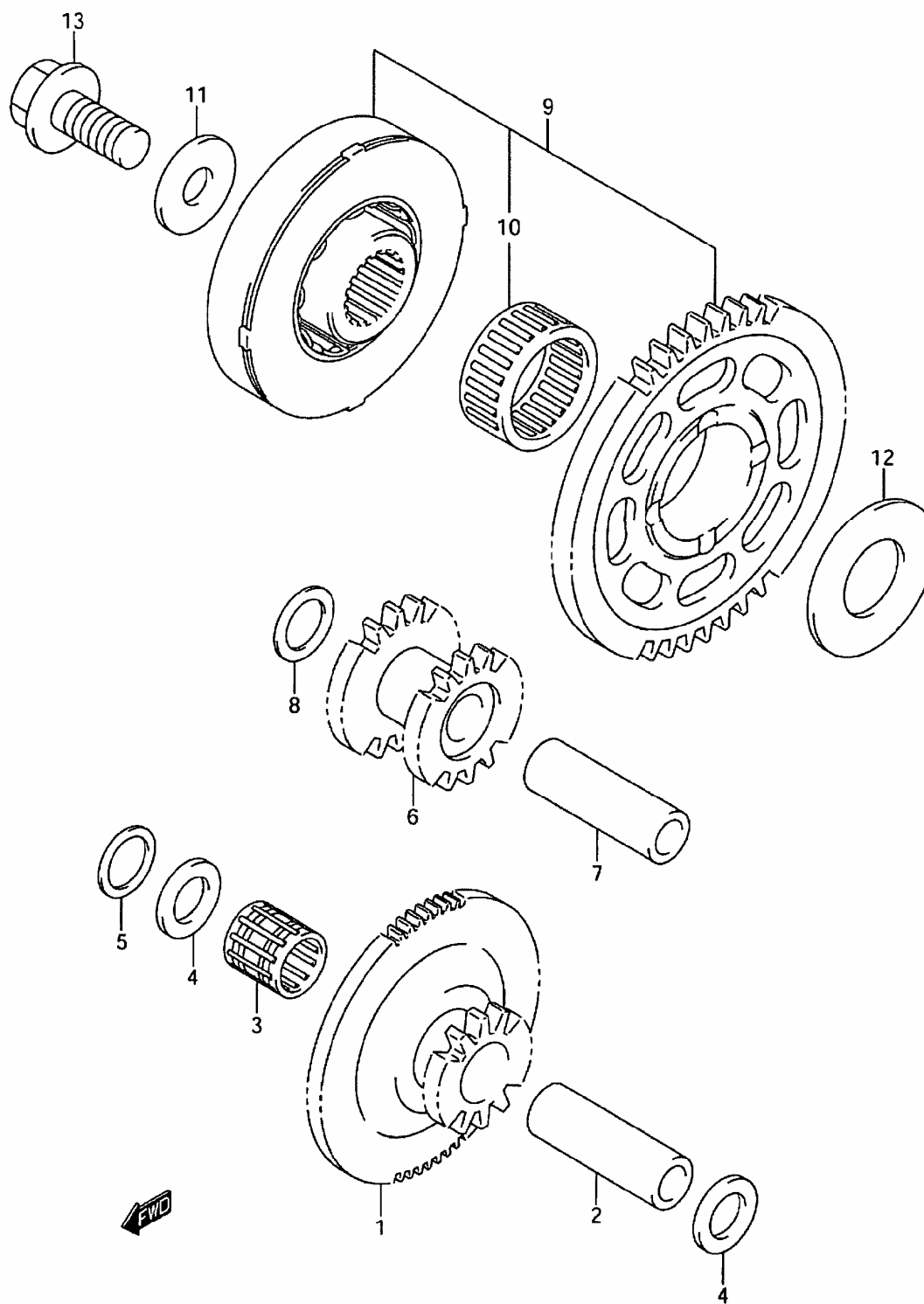
STAND

- (1) **42310-40F10**
STAND,PROP
- (2) **09111-10059**
BOLT
- (3) **09159-10103**
NUT
- (4) **09443-14070**
SPRING
- (5) **09443-19016**
SPRING
- (6) **42330-29G00**
BRACKET,PROP ST
- (7) **09106-10064**
BOLT
- (8) **43111-29G00**
PEDAL, BRAKE
- (9) **09160-18022**
WASHER, 18X24X1
- (10) **43560-35F10**
BRACKET,RETURN
- (11) **07130-06163**
BOLT
- (12) **09443-11035**
SPRING



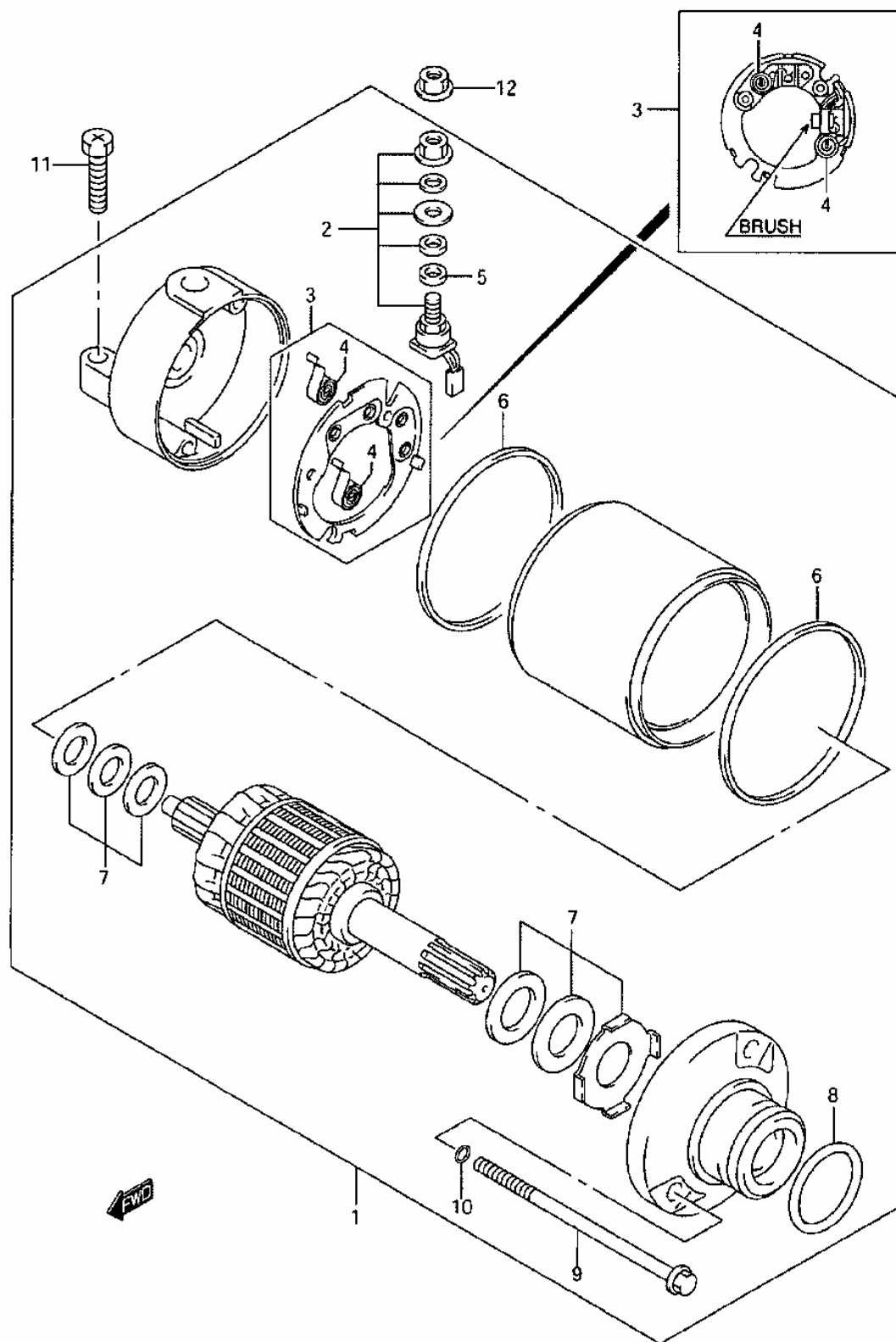
STARTER CLUTCH

- | | |
|--------|--|
| (1) | 12611-35F00
GEAR,STARTER ID |
| (2) | 12151-09204
PISTON PIN |
| (3) | 09263-12023
RN 12X16X16 BRG |
| (4) | 09181-12167
WASHER, THRUST |
| (5) | 09164-12021
WASHER WAVE |
| (6) | 12612-35F00
GEAR,STARTER ID |
| (7) | 12151-09204
PISTON PIN |
| (8) | 09164-12021
WASHER WAVE |
| (9-1) | 12600-35860
Discontinued |
| (9-2) | 12600-40810
CLUCH SET,STRAR |
| (9-3) | 12600-40820
CLUTCH SET,STAR |
| (10-1) | 09263-26028-0C0
>> RN BRG 26X31X16 |
| (10-2) | 09263-26033-0C0
>> BEARING (NEEDLE |
| (10-3) | 09263-26035
>> NEEDLE,ROLLR BE |
| (11) | 08211-10285
WASHER |
| (12) | 08211-20403
WASHER |
| (13) | 09103-10189
BOLT |



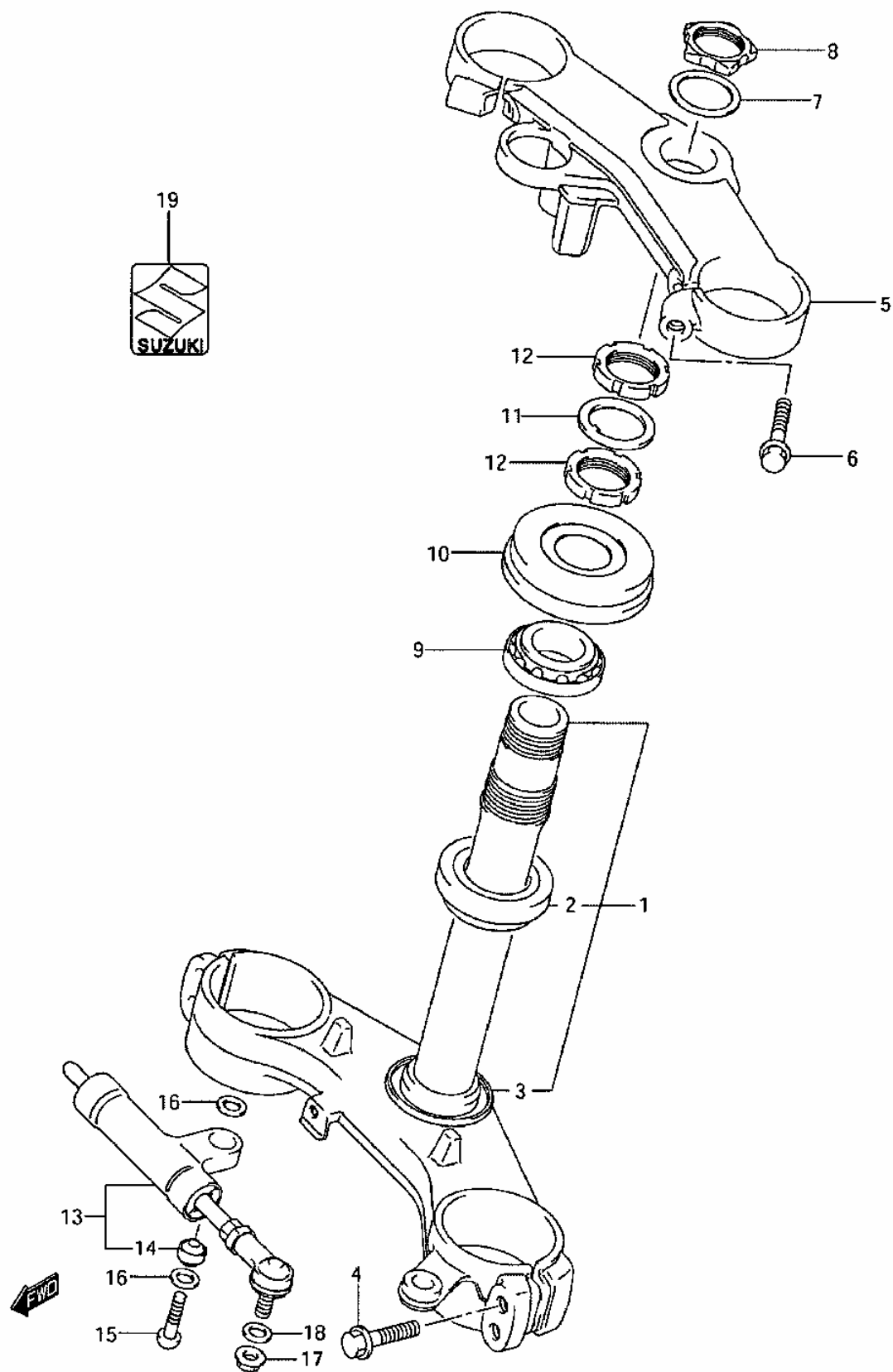
STARTING MOTOR

- (1) **31100-35F00**
MOTOR ASSY,STAR
- (2) **31130-13E00**
>> BRUSH,TERMINAL
- (3) **31132-33E00**
>> BRUSH HOLDER SE
- (4) **31135-31300**
>>> SPRING BRUSH
- (5) **31143-49040**
>> O-RING
- (6) **31264-13E00**
>> O-RING
- (7) **31170-19B10**
>> SHIM SET,STARTI
- (8) **09280-24003**
>> O RING
- (9) **31280-13E00**
>> BOLT
- (10) **31156-13E00**
>> O-RING
- (11) **09128-06024**
SCREW EXHAUST P
- (12) **08361-35068**
NUT



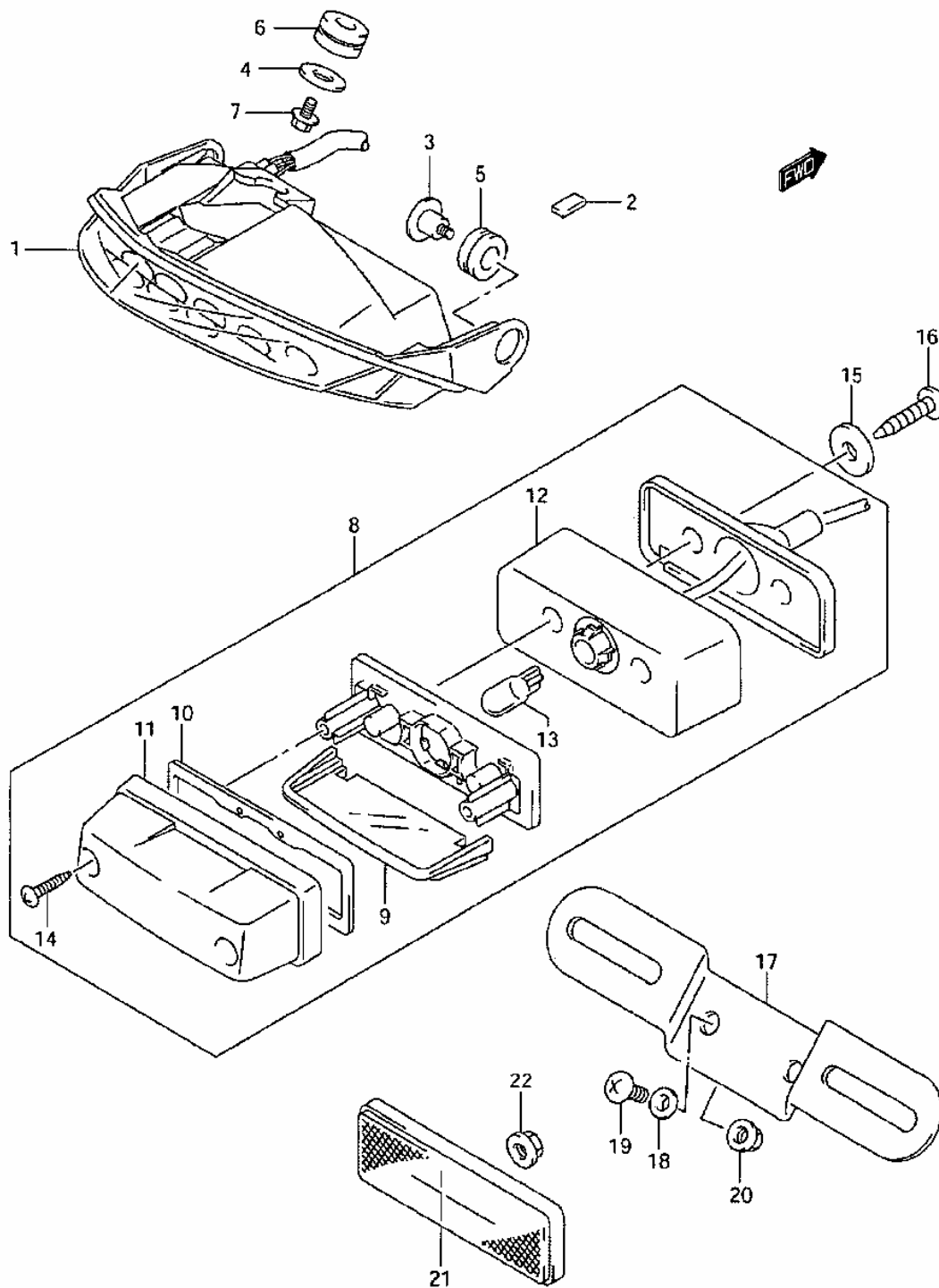
STEERING STERN

- (1) **51410-29G00**
STEM,STEERING
- (2) **09267-30010**
>> B1 BEARING,30X5
- (3) **51644-12C00**
>> SEAL,STEERING L
- (4) **51328-27E30**
BOLT,HOLDER AXL
- (5) **51311-29G00**
HEAD,STEERING S
- (6) **51166-35F00**
BOLT
- (7) **51354-42E00**
WASHER
- (8) **51353-35F00**
NUT,STEM HEAD
- (9) **09267-30010**
B1 BEARING,30X5
- (10) **51643-33E00**
SEAL,STEERING U
- (11) **51641-33E00**
WASHER,STEERING
- (12) **51631-33E00**
NUT,STEERING ST
- (13) **51750-40F60**
DAMPER ASSY,STE
- (14) **09269-08003**
>> PS 8X17.5X11 BE
- (15) **09106-08130**
BOLT
- (16) **64339-14101**
SEAL,PILLOWBALL
- (17) **08319-31088**
ENG MOUNT NUT
- (18) **09160-08059**
WASHER
- (19) **68281-35F00**
EMBLEM,"S"



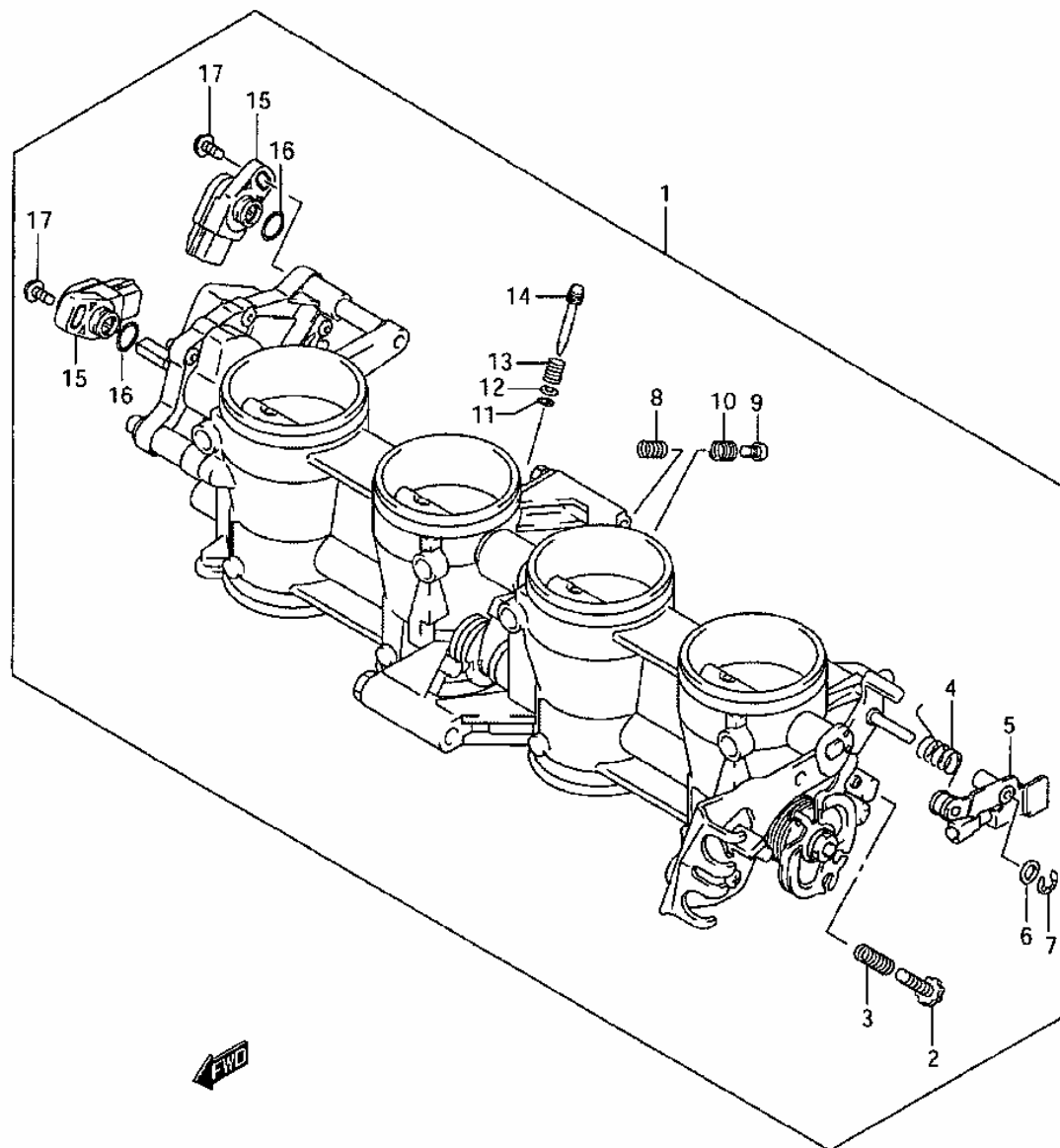
TAIL LAMP

- (1) **35710-29G30**
LAMP ASSY,REAR
- (2) **33651-37000**
BAT PROTECTOR N
- (3) **09139-05080**
SCREW
- (4) **09160-05501**
WASHER
- (5) **09320-10049**
CUSHION
- (6) **09320-10054**
CUSHION
- (7) **02162-05083**
SCREW
- (8) **35910-16G30**
LAMP ASSY,LICEN
- (9) **35912-16G00**
>> LENS
- (10) **35913-16G00**
>> GASKET
- (11) **35917-16G00**
>> COVER
- (12) **35978-16G30**
>> SPACER
- (13) **09471-12216**
>> BULB
- (14) **03211-04163**
>> SCREW, L:16
- (15) **09160-05501**
WASHER
- (16) **03541-05403**
SCREW,VACUUM HS
- (17) **35927-18G00**
BRACKET,LICENSE
- (18) **09160-06088**
WASHER 6.5X20X1
- (19) **02142-06163**
SCREW 6X16
- (20) **08316-10063**
NUT
- (21) **35970-07F00**
REFLEX REFLECTO
- (22) **08316-10053**
NUT



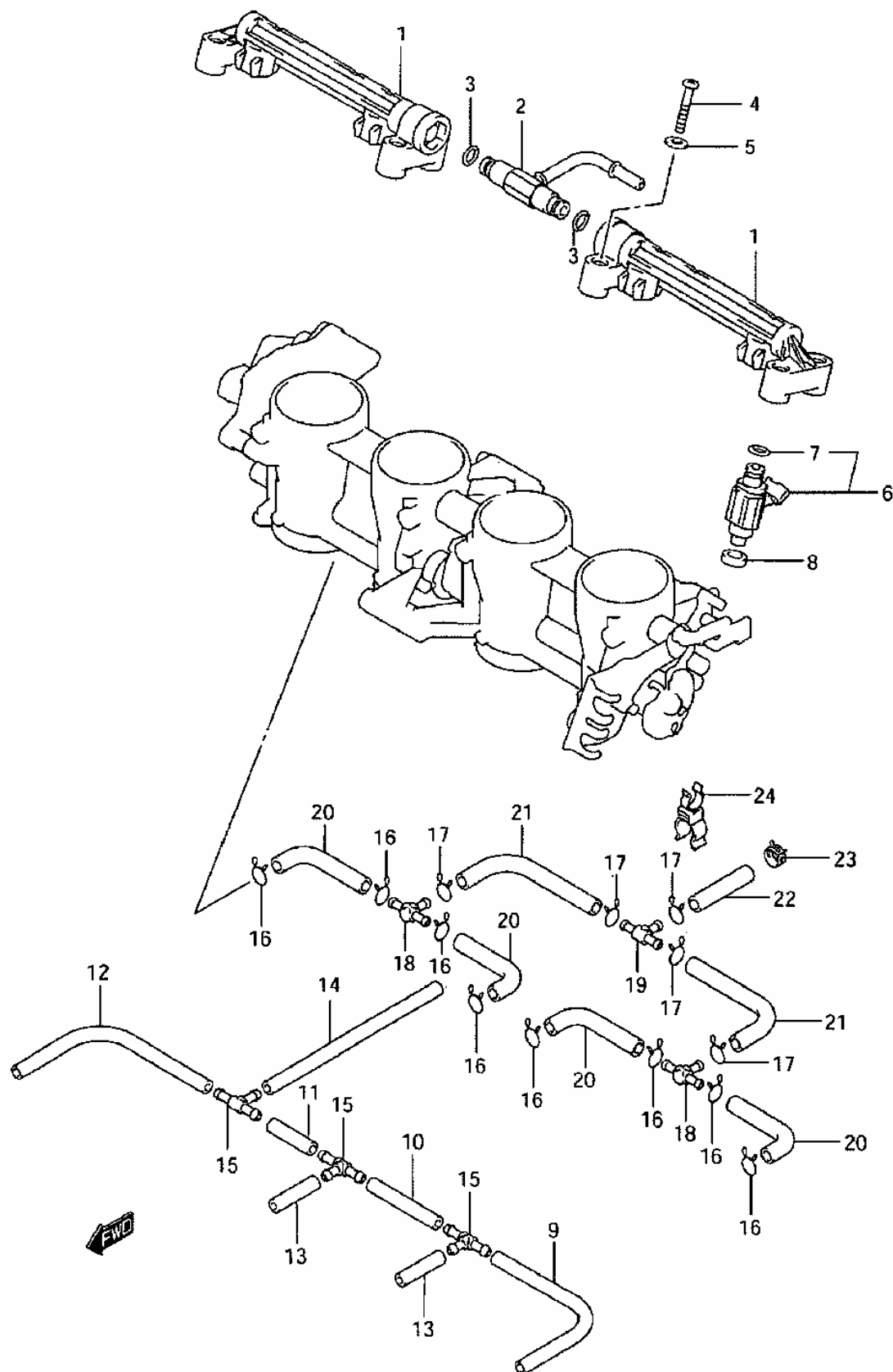
THROTTLE BODY

- (1-1) **13405-30G00**
BODY ASSY,THROT
- (1-2) **13405-30G10**
BODY ASSY,THROT
- (2) **13267-29G00**
>> SCREW
- (3) **13268-29G00**
>> SPRING
- (4) **13426-29G00**
>> TORSION SPRING
- (5) **13420-29G00**
>> LEVER ASSY
- (6) **13427-29G00**
>> PACKING
- (7) **13424-29G00**
>> E RING
- (8) **13268-89J00**
>> SPRING
- (9) **13548-42F00**
>> SCREW
- (10) **13271-44B00**
>> SPRING
- (11) **13295-29900**
>> O RING
- (12) **13606-47A00**
>> WASHER
- (13) **13268-48700**
>> SPRING
- (14) **13269-33E00**
>> SCREW
- (15) **13580-29G00**
>> SENSOR ASSY
- (16) **13575-29G00**
>> O RING
- (17) **13605-29G00**
>> SCREW



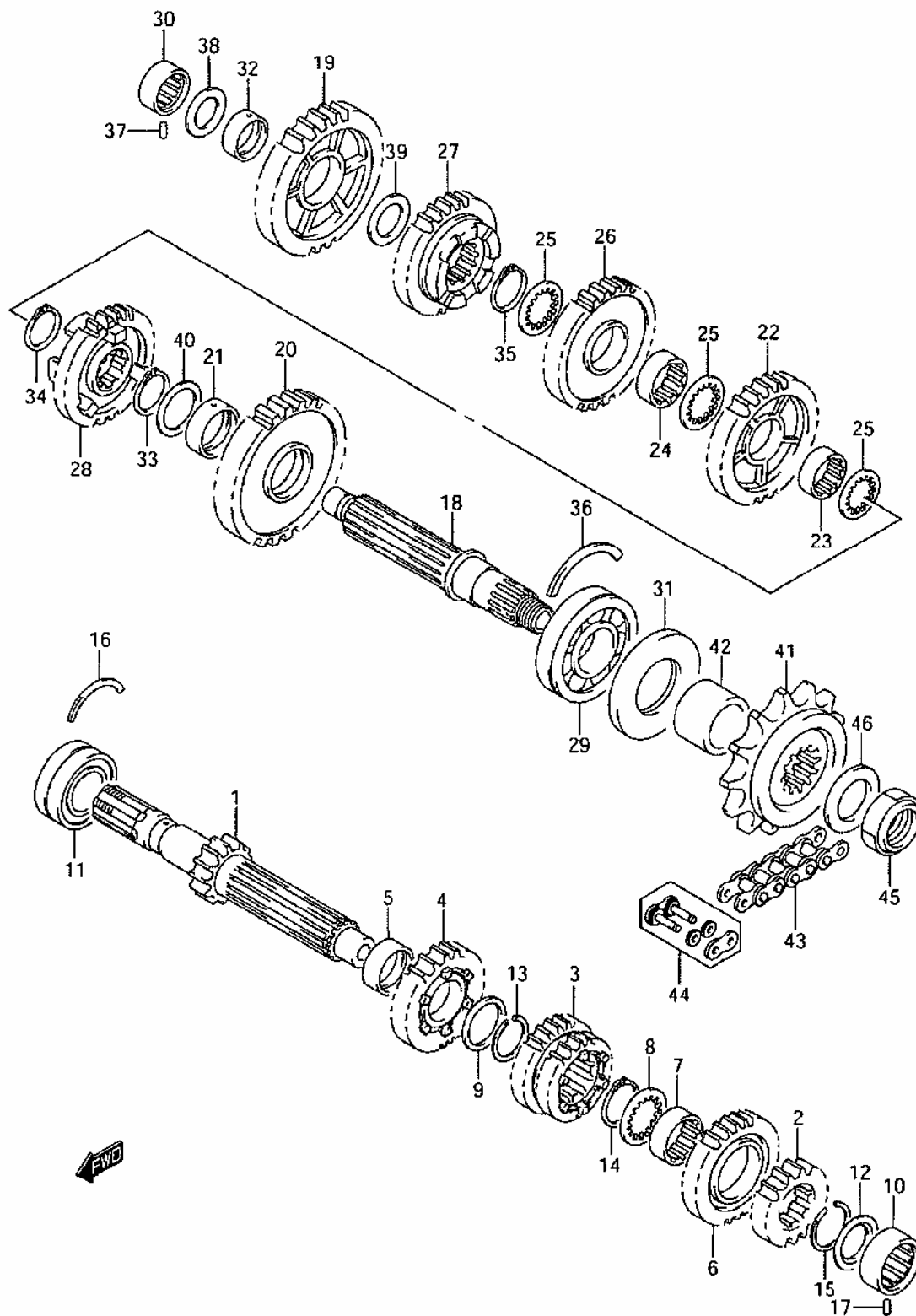
THROTTLE BODY HOSE JOINT

- (1) **13471-29G00**
DELIVERY PIPE
- (2) **13473-29G00**
NIPPLE ASSY
- (3) **15721-29G00**
O RING
- (4) **13601-29G00**
SCREW
- (5) **13602-29G00**
PACKING
- (6) **15710-17G00**
INJECTOR ASSY
- (7) **15717-16G00**
>> O RING
- (8) **15722-29G00**
SEAL
- (9) **13681-39F00-225**
HOSE,3.2X7.4X22
- (10) **13681-39F00-225**
HOSE,3.2X7.4X22
- (11) **13681-39F00-225**
HOSE,3.2X7.4X22
- (12) **13681-39F00-225**
HOSE,3.2X7.4X22
- (13) **13681-39F00-225**
HOSE,3.2X7.4X22
- (14) **13681-39F00-225**
HOSE,3.2X7.4X22
- (15) **13685-02FA0**
3WAY,VACUUM HOS
- (16) **13671-29G00**
CLIP
- (17) **13671-06A10**
(CA) CLIP
- (18) **13685-29G00**
NIPPLE
- (19) **13685-48B00**
(CA)NIPPLE
- (20) **13683-29G10**
HOSE
- (21) **13683-29G30**
HOSE
- (22) **13683-29G20**
HOSE
- (23) **09401-09403**
CLIP
- (24) **09408-00174**
CLAMP



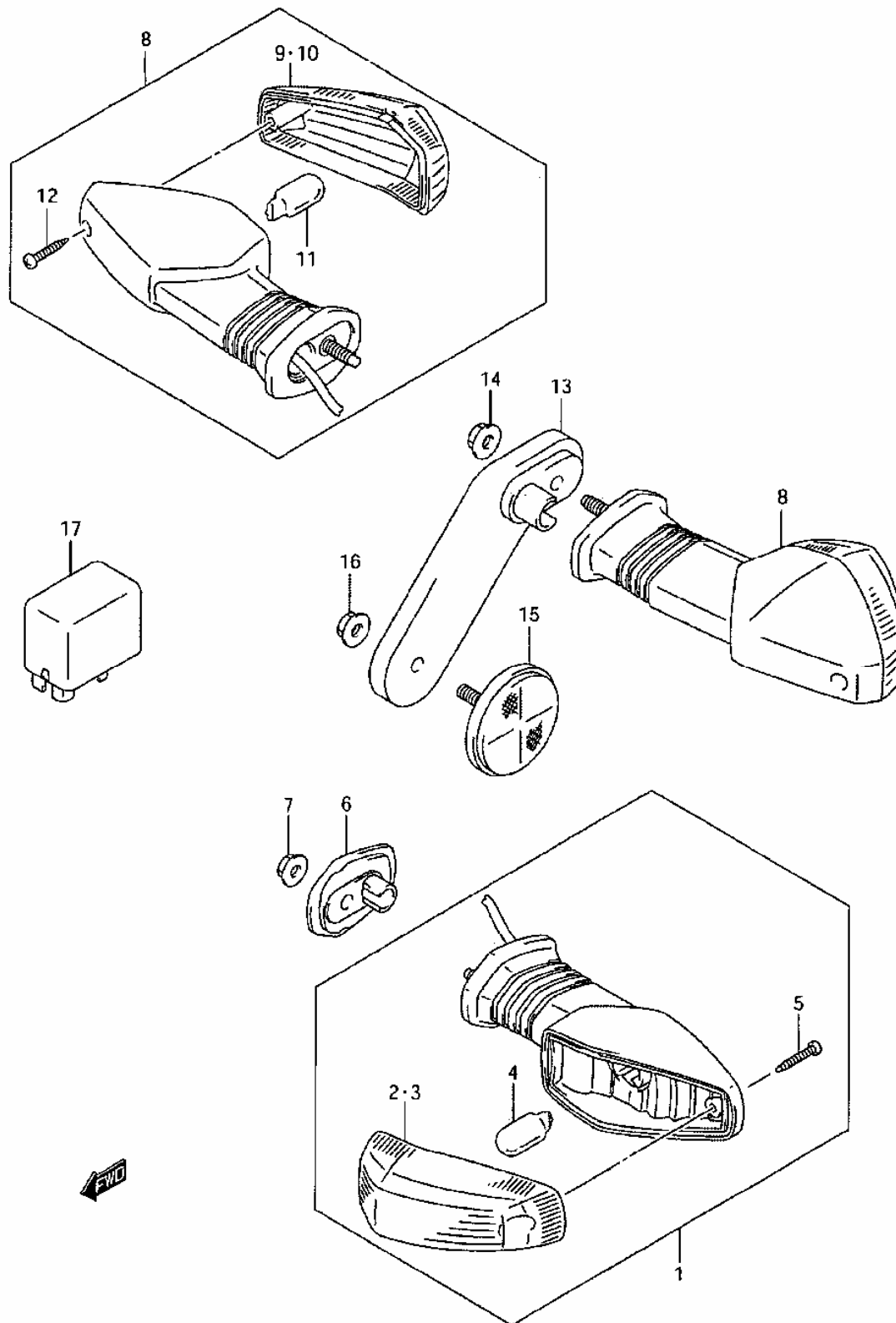
TRANSMISSION

- | | | |
|------|-----------------|------------------|
| (1) | 24120-35F00 | SHAFT_CNTR |
| (2) | 24221-35F00 | GEAR,2ND DRIVE |
| (3) | 24231-35F00 | GEAR,3RD & 4TH |
| (4) | 24251-35F20 | GEAR,5TH DRIVE |
| (5) | 24252-35F00 | BUSH,5TH DRIVE |
| (6) | 24261-35F01 | GEAR, 6TH DRIVE |
| (7) | 24262-35F00 | BUSH,6TH DRIVE |
| (8) | 09167-27003 | WASHER,27X36X2. |
| (9) | 09181-27014 | WASHER,27X36X2. |
| (10) | 09263-20087 | RLORBR,20X34X13 |
| (11) | 09267-25013 | 25X52X21 BEARIN |
| (12) | 09285-20006 | OIL SEAL |
| (13) | 09380-27006 | CIRCLIP |
| (14) | 09380-27006 | CIRCLIP |
| (15) | 09380-27004 | CIRCLIP |
| (16) | 09390-58001 | RING DR SHAFT B |
| (17) | 09261-06003 | PIN 6X10 |
| (18) | 24131-35F00 | SHAFT_DRIVE |
| (19) | 24311-35F10 | GEAR, 1ST DRIVEN |
| (20) | 24321-35F10 | GEAR,2ND DRIVEN |
| (21) | 24322-35F00 | BUSH,2ND DRIVEN |
| (22) | 24331-35F10 | GEAR,3RD DRIVEN |
| (23) | 24332-35F00 | BUSH,3RD DRIVEN |
| (24) | 24332-35F00 | BUSH,3RD DRIVEN |
| (25) | 24333-02F00 | WASHER,3RD / 4T |
| (26) | 24341-35F10 | GEAR,4TH DRIVEN |
| (27) | 24351-35F10 | GEAR,5TH DRIVEN |
| (28) | 24361-35F10 | GEAR,6TH DRIVEN |
| (29) | 09262-28025 | B1 28X70X18 BEA |
| (30) | 09263-20087 | RLORBR,20X34X13 |
| (31) | 09283-36008 | SEAL,34.8X70X6 |
| (32) | 09300-22008 | BUSH |
| (33) | 09380-27006 | CIRCLIP |
| (34) | 09380-27006 | CIRCLIP |
| (35) | 09380-27006 | CIRCLIP |
| (36) | 09390-70001 | C-RING,67.6X75X |
| (37) | 09261-06003 | PIN 6X10 |
| (38) | 09181-20251 | WASHER |
| (39) | 09181-22223 | WASHER |
| (40) | 09160-27008 | WASHER |
| (41) | 27510-20A20 | SPROCKET,ENGINE |
| (42) | 27531-35F00 | SPACER,ENG SPRO |
| (43) | 27600-33E20-110 | CHAIN ASSY,DRIV |
| (44) | 27620-33E20 | JOINT SET,DRIVE |
| (45) | 09159-20004 | NUT 20MM |
| (46) | 09160-25009 | KK STR DRIVEN W |



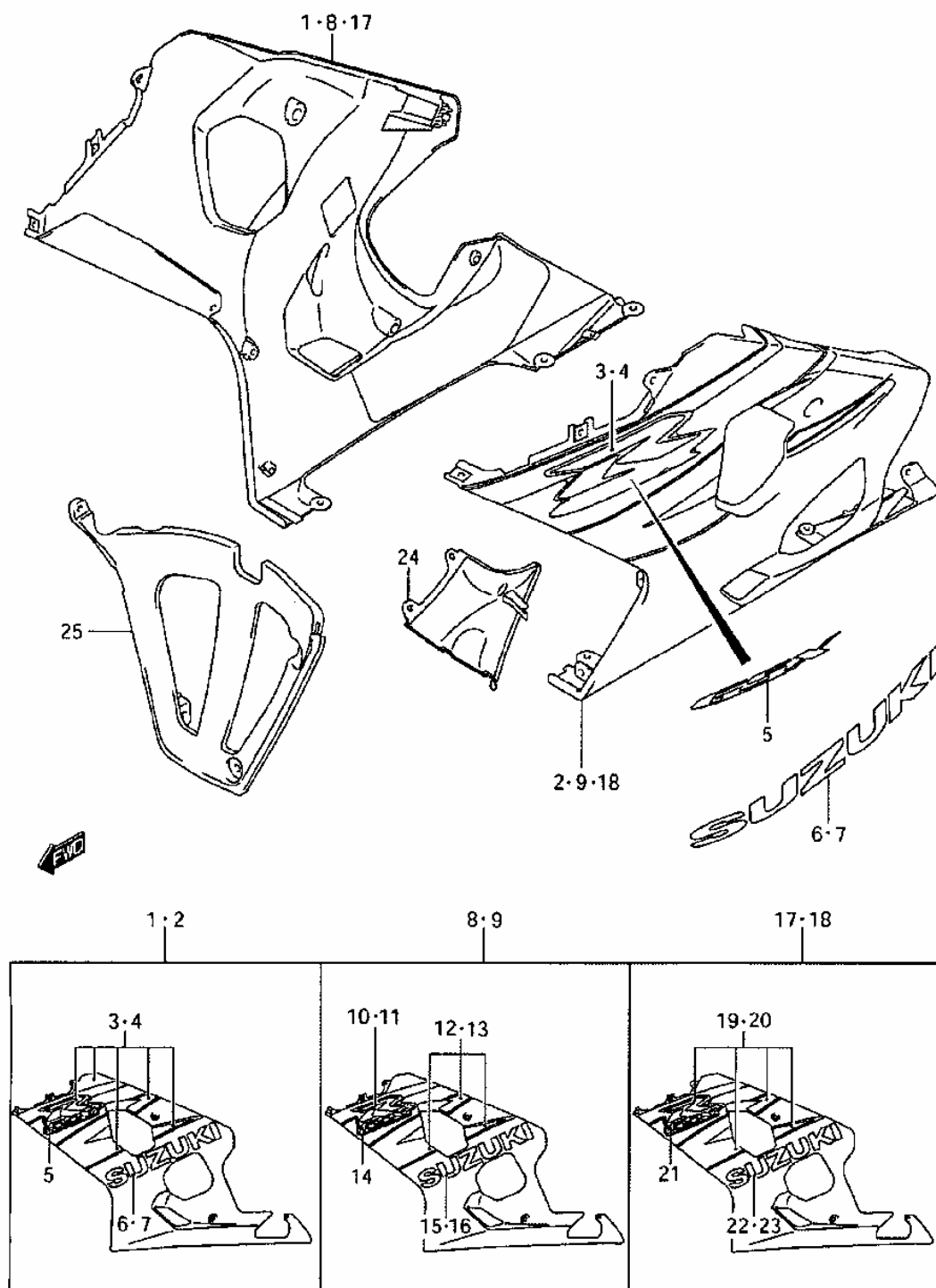
TURN SIGNAL LAMP

- (1-1) **35601-29G10**
LAMP ASSY,FRONT
- (1-2) **35602-29G10**
LAMP ASSY,FRONT
- (2) **35612-18G01**
>> LENS
- (3) **35632-18G01**
>> LENS
- (4) **35222-18G00**
>> BULB,12V15W
- (5) **35725-40511**
>> SCREW
- (6) **35629-18G00**
PLATE,FRONT TUR
- (7) **08316-10053**
NUT
- (8-1) **35603-29G40**
LAMP ASSY,REAR
- (8-2) **35604-29G40**
LAMP ASSY,REAR
- (9) **35632-18G01**
>> LENS
- (10) **35612-18G01**
>> LENS
- (11) **35222-18G00**
>> BULB,12V15W
- (12) **35725-40511**
>> SCREW
- (13-1) **35669-18G00**
PLATE,REAR TURN
- (13-2) **35679-18G00**
PLATE,REAR TURN
- (14) **08316-10053**
NUT
- (15) **35970-14A20**
REFLECTOR ASSY,
- (16) **08316-10053**
NUT
- (17) **38610-07F00**
RELAY ASSY,TURN



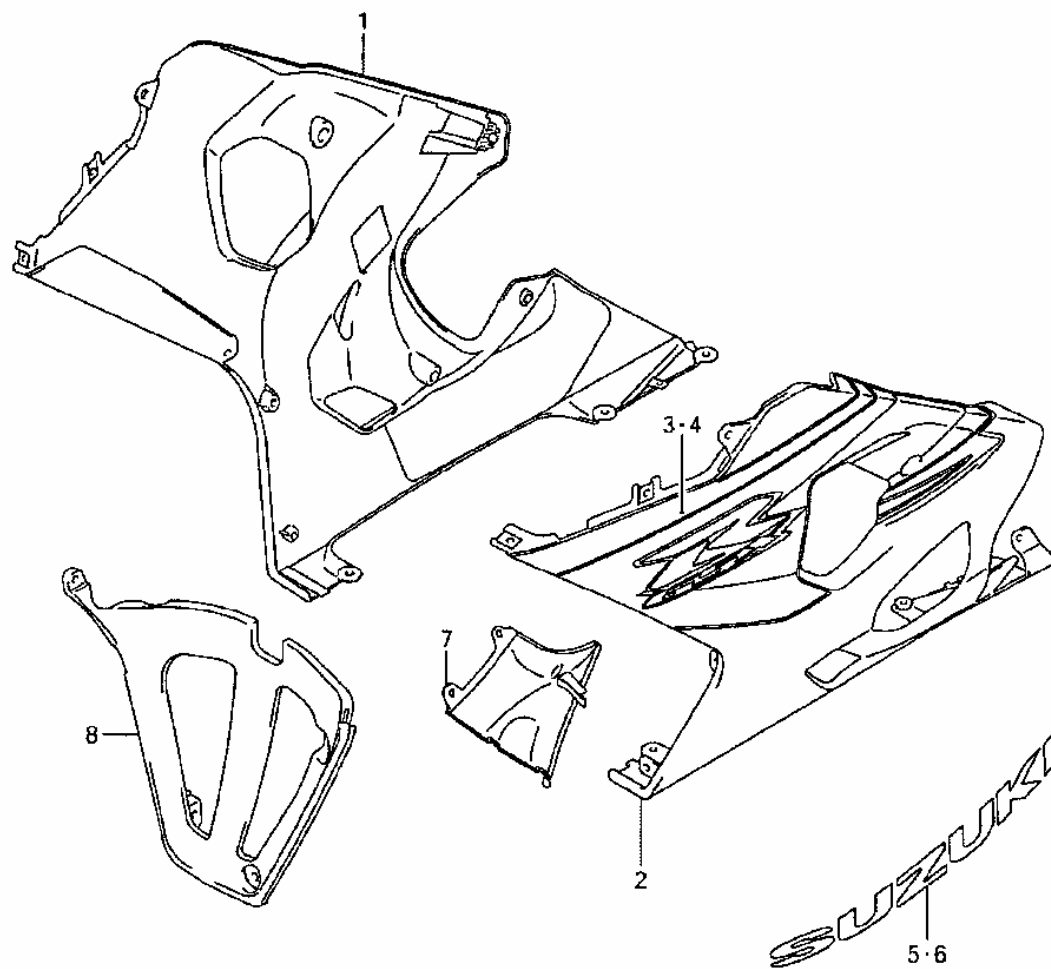
UNDER COWLING MODEL K4

- (1) **94407-30G00-YBD**
COWLING ASSY,UN
- (2) **94408-30G00-YBD**
COWLING ASSY,UN
- (3) **68180-30G00-ATM**
>> TAPE SET,COWLIN
- (4) **68190-30G00-ATM**
>> TAPE SET,COWLIN
- (5) **68181-18G40-AKW**
>> EMBLEM,"GSXR"
- (6) **68181-29G00-019**
>> EMBLEM,R
- (7) **68191-29G00-019**
>> EMBLEM,L
- (8) **94407-30G10-019**
COWLING ASSY,UN
- (9) **94408-30G10-019**
COWLING ASSY,UN
- (10) **68185-30G00-ATU**
>> TAPE,COWLING UN
- (11) **68195-30G00-ATU**
>> TAPE,COWLING UN
- (12) **68180-30G10-LW5**
>> TAPE SET,COWLIN
- (13) **68190-30G10-LW5**
>> TAPE SET,COWLIN
- (14) **68181-18G40-AKW**
>> EMBLEM,"GSXR"
- (15) **68181-29G00-YD8**
>> EMBLEM,R
- (16) **68191-29G00-YD8**
>> EMBLEM,L
- (17) **94407-29G00-019**
COWL ASSY,UNDER
- (18) **94408-29G00-019**
COWL ASSY,UNDER
- (19) **68180-29G00-ATV**
>> TAPE SET,COWLIN
- (20) **68190-29G00-ATV**
>> TAPE SET,COWLIN
- (21) **68181-18G40-AKW**
>> EMBLEM,"GSXR"
- (22) **68181-29G00-YD8**
>> EMBLEM,R
- (23) **68191-29G00-YD8**
>> EMBLEM,L
- (24) **94462-29G10**
COWLING,UNDER I
- (25) **94498-29G10**
COWLING,UNDER C



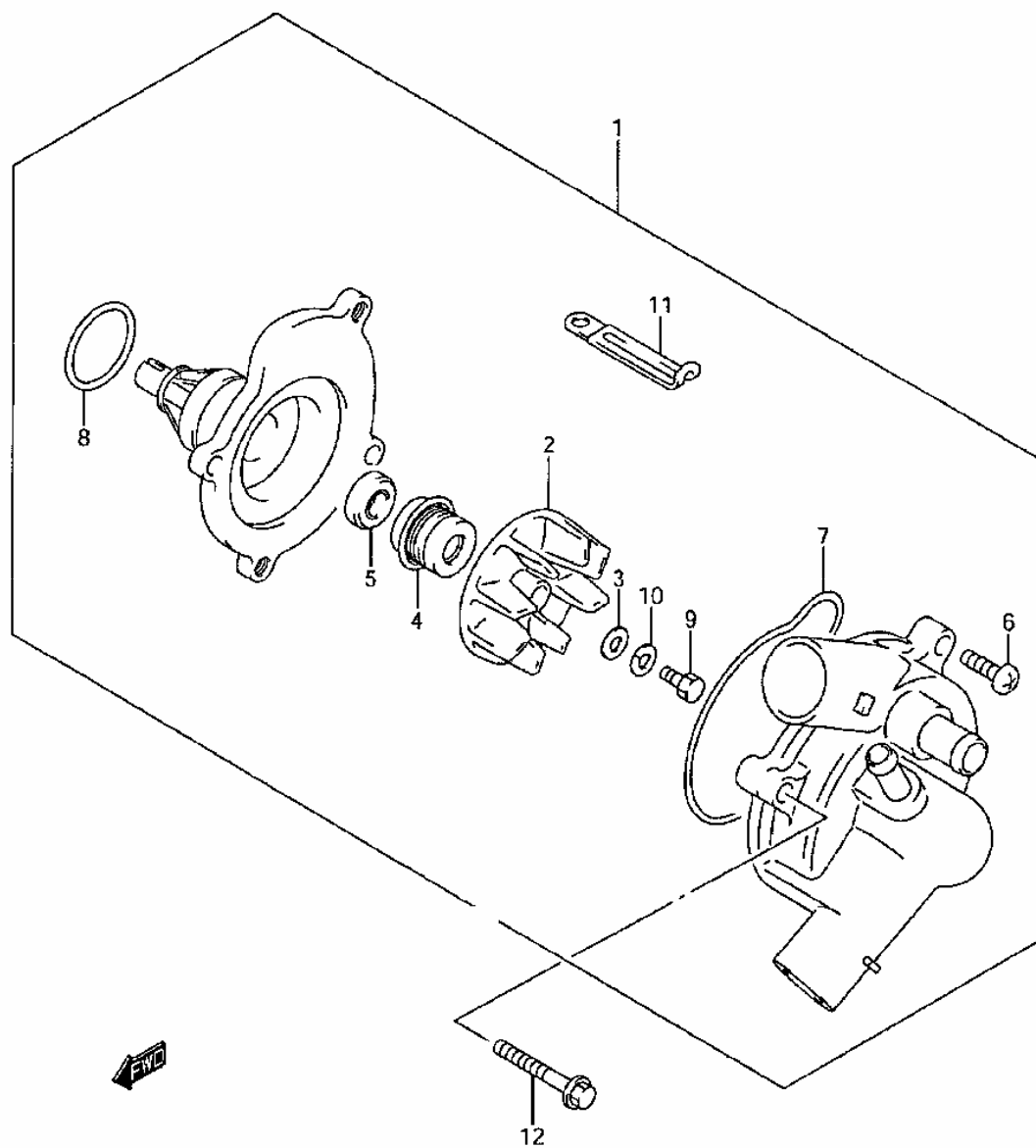
UNDER COWLING MODEL K5

- (1-1) **94407-30G20-YBD**
COWL, UNDER RH (WHITE)
- (1-2) **94407-30G20-019**
COWL, UNDER RH (BLACK)
- (1-3) **94407-30G20-019**
COWL, UNDER RH (BLACK)
- (2-1) **94408-30G20-YBD**
COWL, UNDER LH (WHITE)
- (2-2) **94408-30G20-019**
COWL, UNDER LH (BLACK)
- (2-3) **94408-30G20-1TX**
COWL, UNDER LH (BLACK)
- (3-1) **68180-30G20-YJY**
>> TAPE SET, RH
- (3-2) **68180-30G20-YJZ**
>> TAPE SET, RH
- (3-3) **68180-30G20-YKA**
>> TAPE SET, RH
- (4-1) **68190-30G20-YJY**
>> TAPE SET, LH
- (4-2) **68190-30G20-YJZ**
>> TAPE SET, LH
- (4-3) **68190-30G20-YKA**
>> TAPE SET, LH
- (5-1) **68181-29G00-019**
>> EMBLEM,R
- (5-2) **68181-29G00-YD8**
>> EMBLEM,R
- (6-1) **68191-29G00-019**
>> EMBLEM,L
- (6-2) **68191-29G00-YD8**
>> EMBLEM,L
- (7) **94462-29G10**
COWLING,UNDER I
- (8) **94498-29G10**
COWLING,UNDER C



WATER PUMP

- (1) **17400-35F10**
PUMP ASSY, WATER
- (2) **17491-17E01**
>> IMPELLER
- (3) **09168-06025**
>> WASHER
- (4) **17470-02F10**
>> SEAL, WATER PUMP
- (5) **09283-10004**
>> OIL SEAL WATER
- (6) **02112-06163**
>> SCREW 6X16
- (7) **17418-33400**
>> O RING, WATER PU
- (8) **17435-33400**
>> O RING, WATER PU
- (9) **09100-06099**
>> BOLT
- (10) **09164-06006**
>> ENG OIL CASE WA
- (11) **09404-06429**
>> CLAMP, L:65
- (12) **01547-06353**
BOLT



WIRING HARNESS

- (1-1) **36610-29G30**
HARNESS,WIRING
- (1-2) **36610-29G80**
HARNESS, WIRING NO.1
- (2) **09481-10501**
>> FUSE
- (3) **09481-15501**
>> FUSE
- (4) **36620-29G30**
HARNESS,WIRING
- (5) **36618-35F00**
>> COVER SPEEDOMET
- (6) **09403-06322**
CLAMP,WIRING HA
- (7) **09404-06429**
CLAMP (L:45)
- (8-1) **09407-14403**
CLAMP
- (8-2) **09407-18402**
CLAMP,WIRING HA
- (9) **01550-06123**
BOLT
- (10) **36851-35F00**
WIRE,OIL PRESSU
- (11-1) **37101-16840**
LOCK SET
- (11-2) **37101-16860**
LOCK SET
- (11-3) **37101-16850**
LOCK SET
- (11-4) **37101-16870**
LOCK SET
- (12-1) **37100-29G00**
>> LOCK ASSY,STEER
- (12-2) **37100-29G10**
>> LOCK ASSY, STEERING
- (13) **09139-08016**
BOLT
- (14) **37740-45D00**
Discontinued
- (15) **09443-06042**
SPRING
- (16) **37840-35F10**
SWITCH ASSY,SID
- (17) **01550-06163**
BOLT
- (18) **38500-18G00**
HORN ASSY
- (19) **01550-08163**
BOLT
- (20) **38740-24X50**
RELAY ASSY,FUEL
- (21) **37146-33E00**
KEY,BLANK

